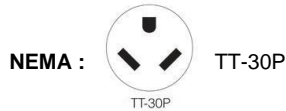




UPC Code : 078477320259

Country Of Origin : Mexico



## 830-E

30 Amp, 125 Volt, NEMA TT-30P, 2P, 3W, Plug, Straight Blade, Industrial Grade, Angle, Grounding - Black

Leviton offers a large selection of 15, 20, 30 and 50 Amp Commercial Grade Straight Blade Plugs and Connectors, available in a wide variety of features. These rugged performers are moisture, chemical and abuse-resistant, And they're ideal for indoor and outdoor use. Our EPTR rubber-backed plugs and connectors stand up to rough use, protecting against dirt and moisture. The deep-slotted, backed-out terminal screws draw backwire clamps securely over stripped leads for maximum conductivity.

\*\*This is a direct replacement of 830-T

### Technical Information

AC Horsepower Ratings

**At Rated Voltage** : 2 HP

Electrical Specifications

**Amperage** : 30 A

**Current Limiting** : Full Rated Current

**Dielectric Voltage** : Withstands 2000V per UL498

**Grounding** : Grounding

**Pole** : 2

**Temperature Rise** : Max 30C after 50 cycles OL at 150 percent rated current

**Voltage** : 125 VAC

**Wire** : 3

Environmental Specifications

**Operating Temperature** : -40°C to 60°C

Material Specifications

**Assembly Screws** : Steel, Zinc Plated

**Blades/Contacts** : Brass

**Body Material** : Thermoplastic

**Color** : Black

Mechanical Specifications

**Cord Range** : .687 - .875

**Product ID** : Ratings are permanently marked on device

**Terminal Accom.** : 10 AWG

**Terminal ID** : Brass-Hot, Green-Ground, Silver-Neutral

Product Features

**Color** : Black

**NEMA** : TT-30P

**Warranty** : 2-Year Limited

Standards and Certifications

**ANSI** : C-73

**CSA C22.2 No. 42** : File 152105

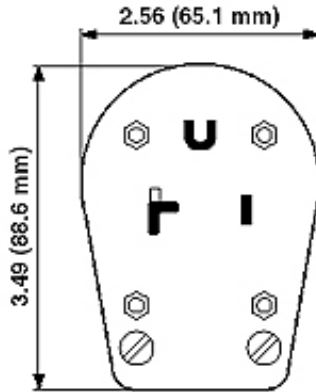
**NEMA** : WD-6

**NOM** : 057

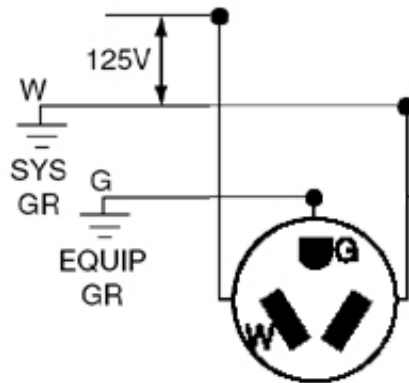
**UL498** : File E13399

**Warranty** : 2-Year Limited

### Dimensional Diagram



### Wiring Diagram



### SPECIFICATION SUBMITTAL

JOB NAME: <input type="text"/>	CATALOG NUMBERS: <input type="text"/>	<input type="text"/>
JOB NUMBER: <input type="text"/>	<input type="text"/>	<input type="text"/>

#### Leviton Manufacturing Co., Inc.

201 North Service Road, Melville, NY 11747

Telephone: +1-800-323-8920 · FAX: +1-800-832-9538 · Tech Line (8:30AM-7:30PM E.S.T. Monday-Friday):

+1-800-824-3005

#### Leviton Manufacturing of Canada, Ltd.

165 Hymus Boulevard, Pointe Claire, Quebec H9R 1E9 · Telephone: +1-800-469-7890 ·

FAX: +1-800-824-3005 · [www.leviton.com/canada](http://www.leviton.com/canada)

#### Leviton S. de R.L. de C.V.

Lago Tana 43, Mexico DF, Mexico CP 11290 · Tel.: (+52)55-5082-1040 · FAX: (+52)5386-

1797 · [www.leviton.com.mx](http://www.leviton.com.mx)

Visit our Website at: [www.leviton.com](http://www.leviton.com)

© 2018 Leviton Manufacturing Co., Inc. All Rights Reserved. Subject to change without notice.

#### Leviton has a global presence.

If you would like to know where your local Leviton office is located please go to:

[www.leviton.com/international/contacts/](http://www.leviton.com/international/contacts/)

