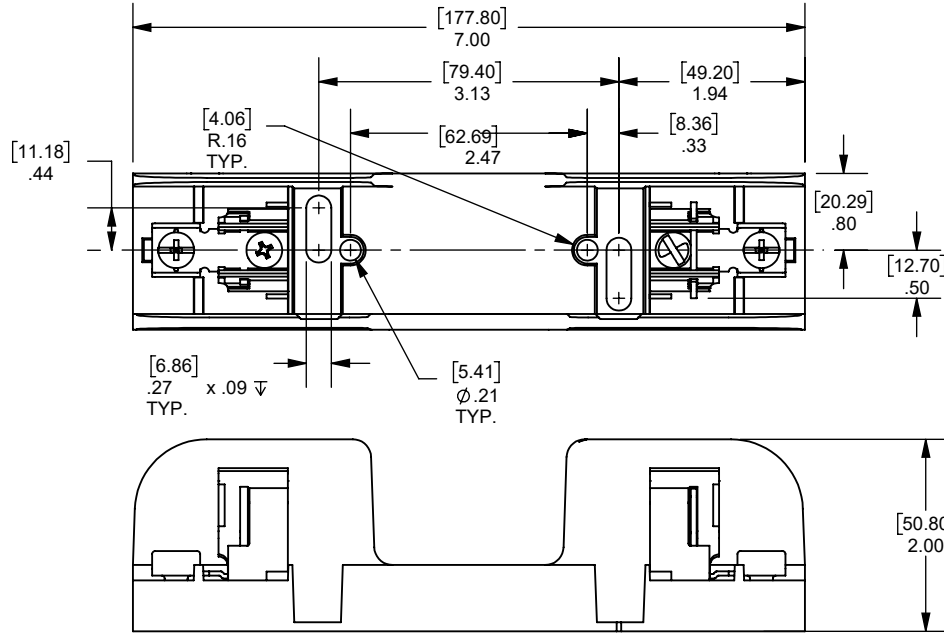


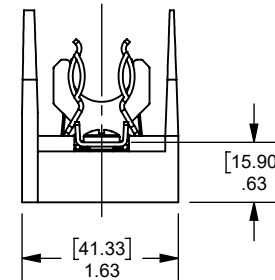
CATALOG NUMBER	FUSE CLASS	RMS SYM RATING	TORQUE (IN-LBS)	WIRE		UL		CSA
				°C	TYPE	FILE NO.	GUIDE NO.	REPORT NO.
60311 [2]	H, K	10K	20	60/75	CU ONLY	E52283	IZLT	LR32169
60316 [3]	H, K	10K	20	60/75	CU ONLY			
60316R	R	200K	20	60/75	CU ONLY			

REV.	DATE	ECO	DESCRIPTION	BY	CK	APP
00	10/01/1993	N/A	RELEASED	N/A	N/A	N/A
A	11/12/2024	18722	REDRAWN FROM CADRA, UPDATED NOTES	ABT	N/A	SEE ECO



NOTES:

1. MATL COMPOSITION AND RATING: THERMOPLASTIC-125°C RTI.
2. OMIT SPRING AND REJECTION.
3. OMIT REJECTION.



ADD "R" FOR CLASS R

OUTLINE DIMENSIONS  
NOT TO BE USED FOR PRODUCTION

DIMENSIONS IN [ ]  
ARE MILLIMETERS

Approval stage / Etat d'approbation: <b>APPROUVÉ POUR FABRICATION / APPROVED FOR MANUFACTURING</b>		Product Class:/ Product Type: CLASS R, H, K 1 POLE	
		Product amp rating:/ Voltage rating: 30A 600V	
Initial ECO / ECO intiale: <b>ECO-18722-000</b>		Title / Titre: <b>OUTLINE</b> 60311, 60316, 60316R	
Draw by / Dessiné par: <b>Alma Balcazar</b>		Date : <b>11/26/2024</b>	
Checked by / Vérifié par: <b>Yadyra Fang</b>		Date : <b>11/27/2024</b>	
Electrical Power 374 MERRIMAC STREET NEWBURYPORT, MA 01950		Éch / Scale : <b>1:2</b> Format / Size : <b>A</b>	
		Part / Article: <b>SEE TABLE</b>	
		Page : <b>1/1</b>	
		<b>MERSEN</b>	

Ce plan strictement confidentiel est la propriété exclusive de la société MERSEN sans l'autorisation écrite de laquelle il ne peut être ni reproduit, ni copié, ni communiqué à des tiers.  
This drawing and specifications there on is property of MERSEN and shall not be reproduced or copied or used in whole or in part as the base for manufacture or sale of item without written permission.