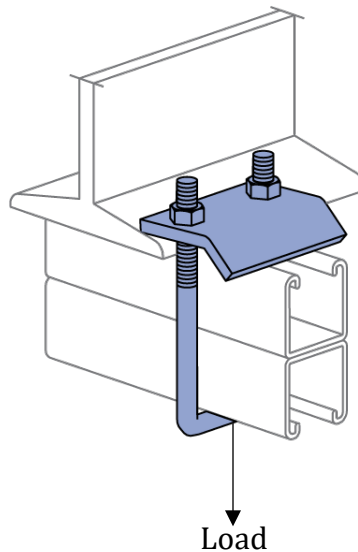


**DESIGN LOAD REPORT**

**Part Description:** P2786 (Beam Clamp)

**Report Date:** August 9, 2022



Design Load (each) (lbs)
1,000

NOTES

1. Design loads only apply to Unistrut brand products. Look for "UNISTRUT" on the part.
2. Use in pairs only.
3. Safety factor = 2.5 based on ultimate strength of connection.
4. For use with beam flanges up to 3/4" (19.1 mm) thick.
5. Use with Channels P1001, P1101, P2001, P3001, P5000, and P5500.