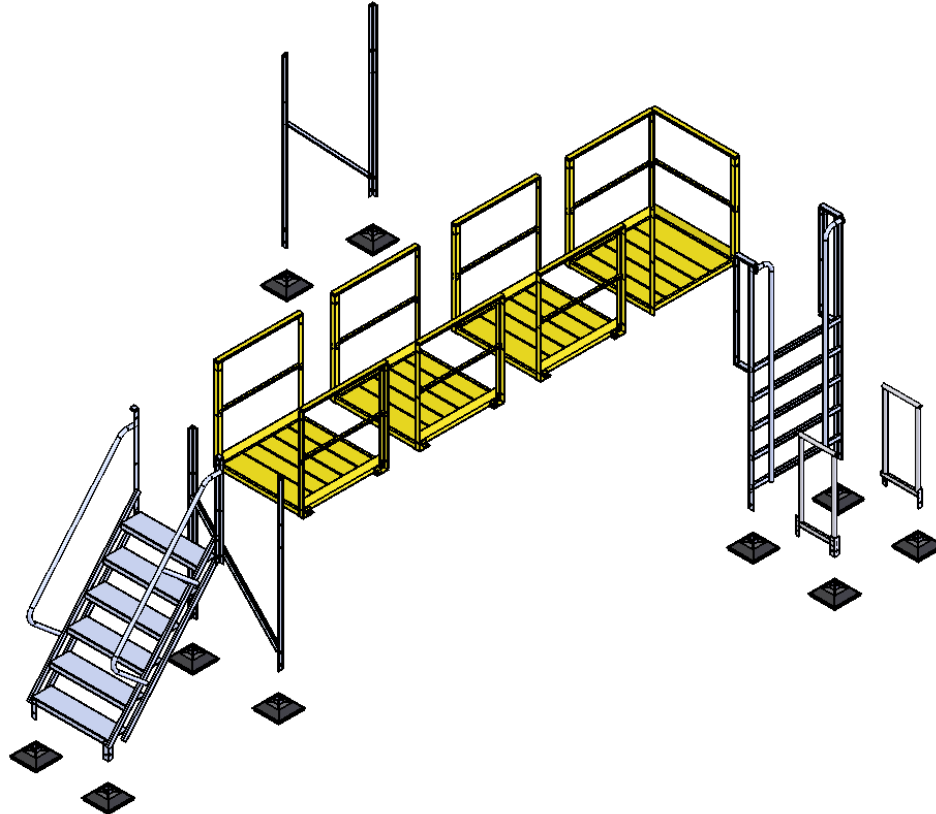


CADDY® PYRAMID

Crossovers and Walkways

ASSEMBLY GUIDELINES



WARNING:

1. ERICO products shall be installed and used only as indicated in ERICO product instruction sheets and training materials. Instruction sheets are available at www.erico.com and from your ERICO customer service representative.
2. ERICO products must never be used for a purpose other than the purpose for which they were designed or in a manner that exceeds specified load ratings.
3. All instructions must be completely followed to ensure proper and safe installation and performance.
4. Improper installation, misuse, misapplication or other failure to completely follow ERICO's instructions and warnings may cause product malfunction, property damage, serious bodily injury and death.
5. Products that are manufactured using spring steel components shall be used only in a non-corrosive indoor environment.
6. All pipe supports, hangers, intermediate components and structural attachments must **ONLY** be used as described herein and are **NEVER** to be used for any other purpose.

NOTE: All load ratings are for static conditions and do not account for dynamic loading such as wind, water or seismic loads, unless otherwise noted.

The customer is responsible for:

- a. Conformance to all governing codes.
- b. The integrity of structures to which the products are attached, including their capability of safely accepting the loads imposed, as evaluated by a qualified engineer.
- c. Using appropriate industry standard hardware as noted above.

SAFETY INSTRUCTIONS:

All governing codes and regulations and those required by the job site must be observed. Always use appropriate safety equipment such as eye protection, hard hat, and gloves as appropriate to the application.



CADDY, CADWELD, CRITEC, ERICO, ERIFLEX, ERITECH, and LENTON are registered trademarks of ERICO International Corporation.

TECHNICAL SUPPORT:
www.erico.com

CFS497

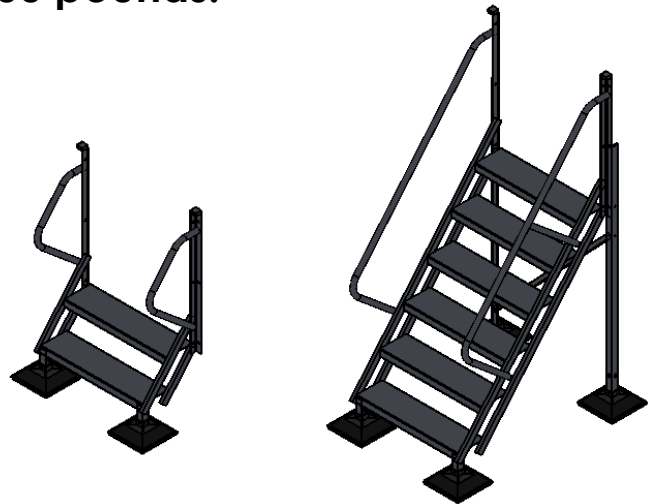
© ERICO International Corporation.

ERICO®

CADDY® PYRAMID Crossovers and Walkways is a user configurable crossover assembly. The main purpose of the assembly is to provide users with bolt-together, walk-through surfaces which can cover common rooftop terrain. The Crossover and Walkways product line is composed of five components for multiple crossover configurations. The Rooftop system features a load capacity of 500 pounds.

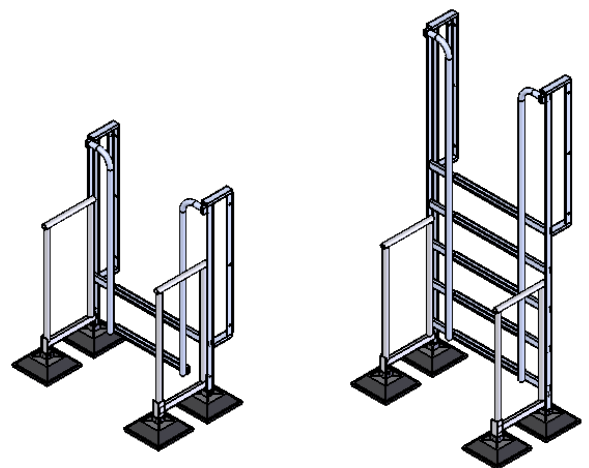
CADDY® PYRAMID Crossover Ladders, 50°

- Available Heights 20", 30", 40", 50", & 60"
- Grip strut safety tread steps
- Leg Kit included for all heights excluding 20"



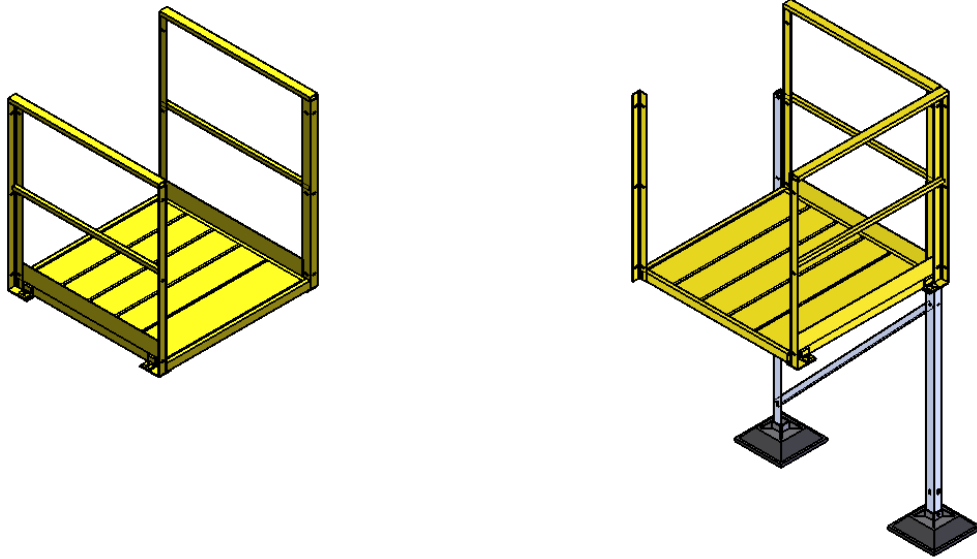
CADDY® PYRAMID Crossover Ladders, 90°

- Available Heights 20", 30", 40", 50", & 60"
- Perforated Ladder Rung
- Anti-Tipover Leg Kit standard for all heights



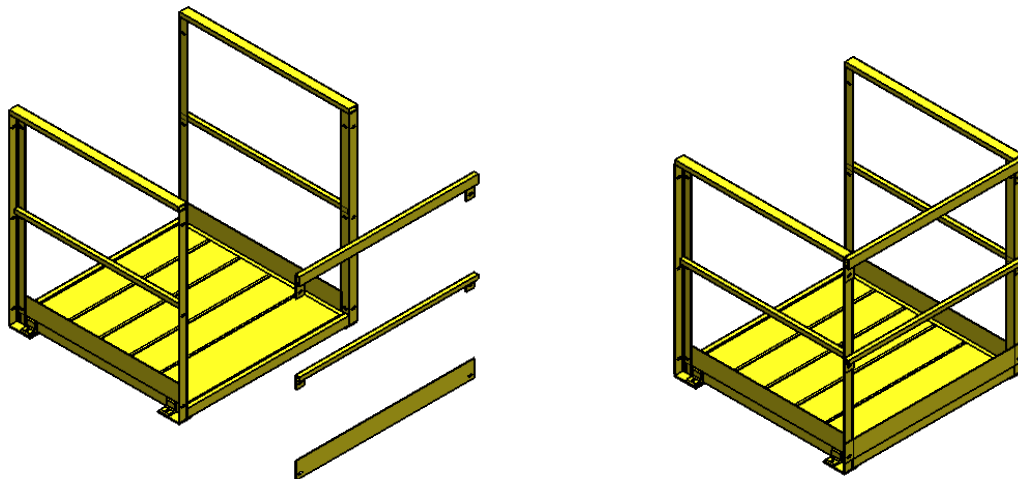
Crossover Bridge

- Available in straight or turn configurations
 - Grip strut walking surface
 - Cable tiedown points available in each corner
- Note: Turn Platforms must be supported by a Leg Kit**



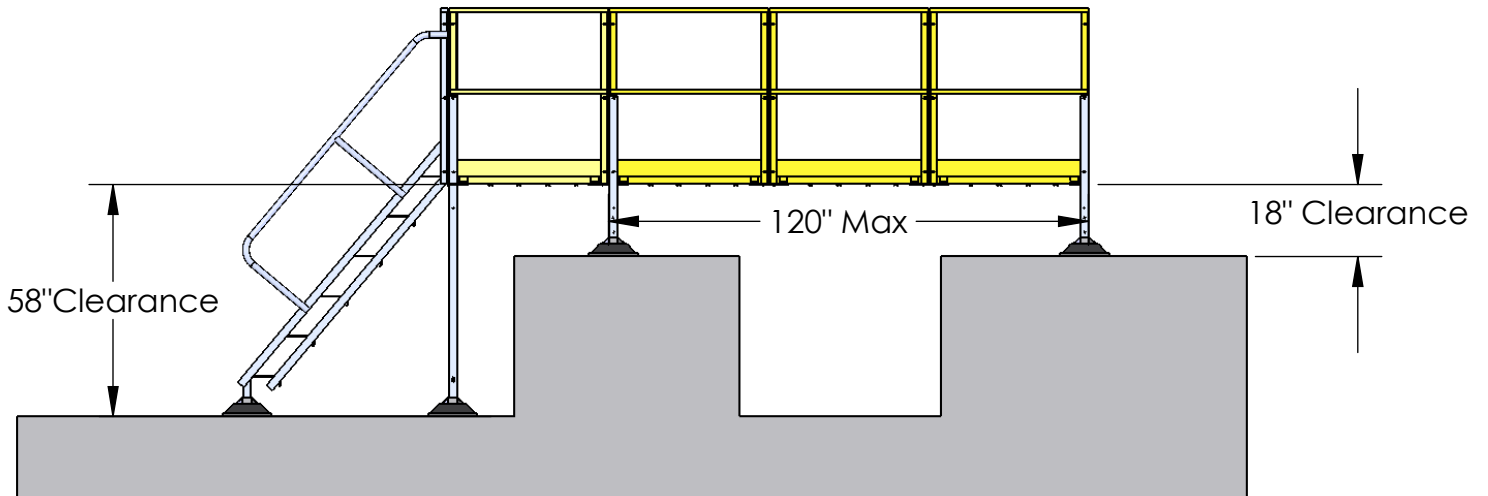
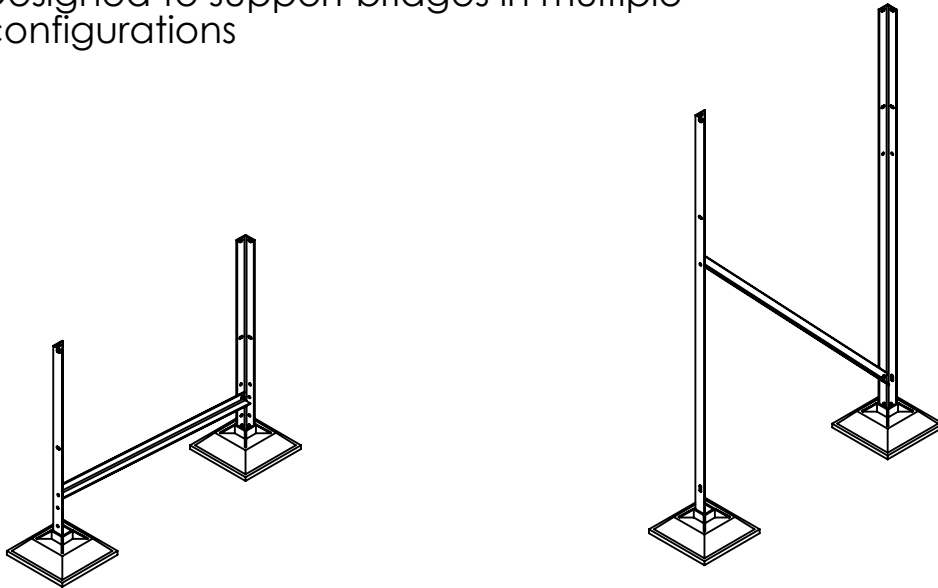
Crossover Bridge Rail Kit (Shown Below)

- Designed to block off a single end of a crossover
- Kit includes a bolt-on top rail, mid rail, and kick plate



Leg Kits

- Available Leg Kits Support Bridges and Ladders with Heights of 20", 30", 40", 50", & 60"
- Bridge Clearance Height: 18" - 58"
- Designed to support bridges in multiple configurations



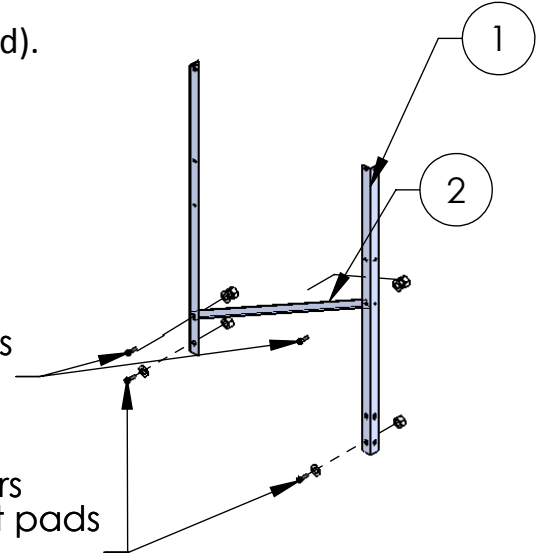
Leg Kit Assembly

1. Fasten Diagonal Brace to Vertical Legs as shown using 3/8" bolts and nuts and washers (included).
2. Attach Feet using provided 1/2" fasteners (included).
3. Tighten all fasteners.
4. ENSURE ALL FASTERS ARE SECURELY TIGHTENED BEFORE USE.

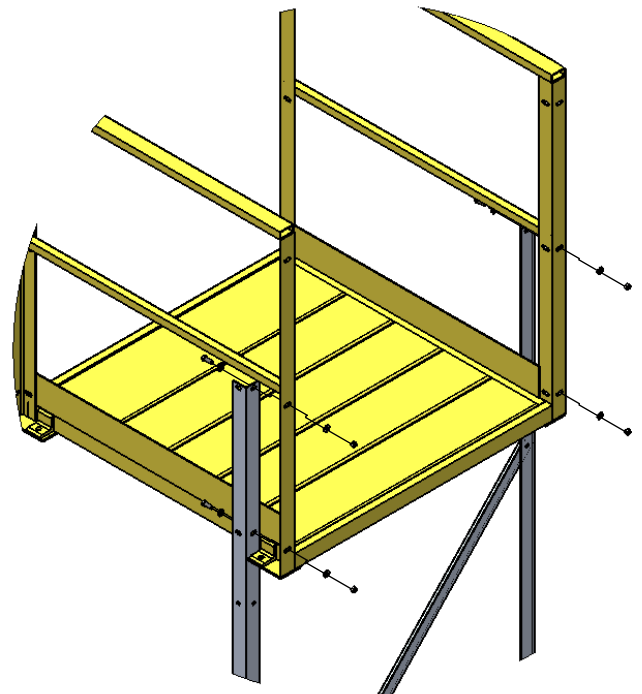
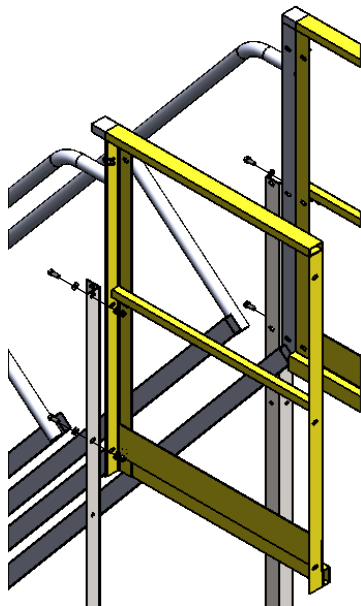
ITEM NO.	QTY	DESCRIPTION
1	2	VERTICAL LEG
2	1	DIAGONAL BRACE
3	2	FOOT
4	1	FASTENER PACK

3/8" Fasteners
(30 ft-lbs)

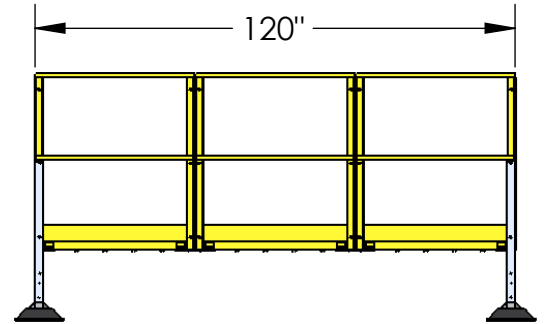
1/2" Fasteners
used for foot pads
(10 ft-lbs)



Fasten the (2) Vertical Legs to ladder or platform as shown by torquing (4) 3/8" bolts and nuts and (8) washers (included) to 30Ft-Lbs. Do not face threaded end of the bolt toward the traveled side of the ladder or platform. Do not fully tighten fasteners until all steps are completed.

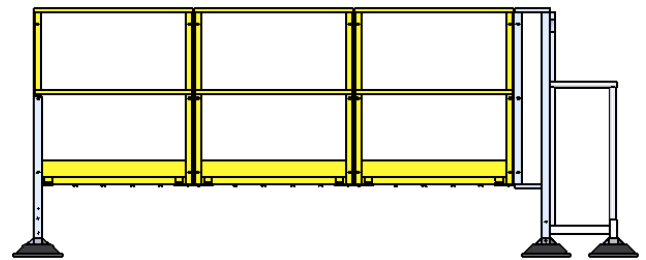


Platform assemblies must not have an unsupported span of over 120" (three Bridges). If a longer crossover is needed, plan Leg Kit locations so the unsupported span is not greater than three bridges.

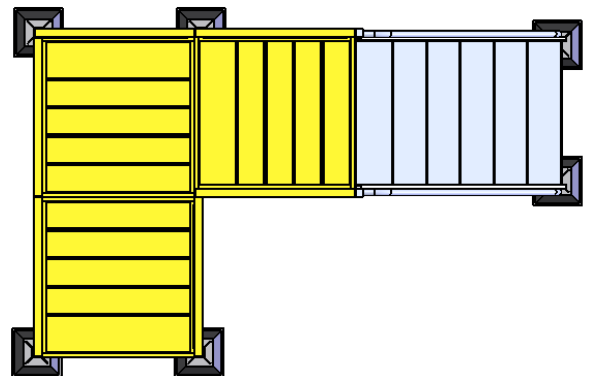


A 90° Ladder may be used in place of a Leg Kit if needed.

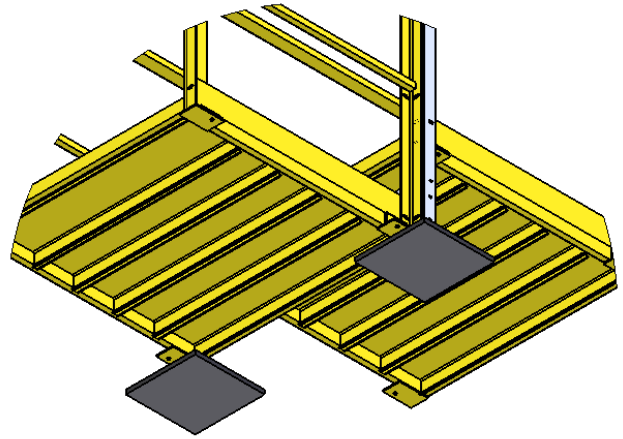
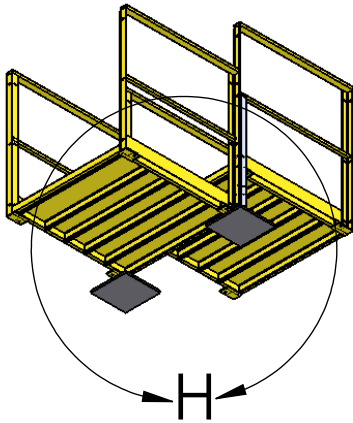
A 50° ladder with a height of 20" may be used in place of a legkit if needed. All other ladder heights are designed to utilize a Leg Kit.



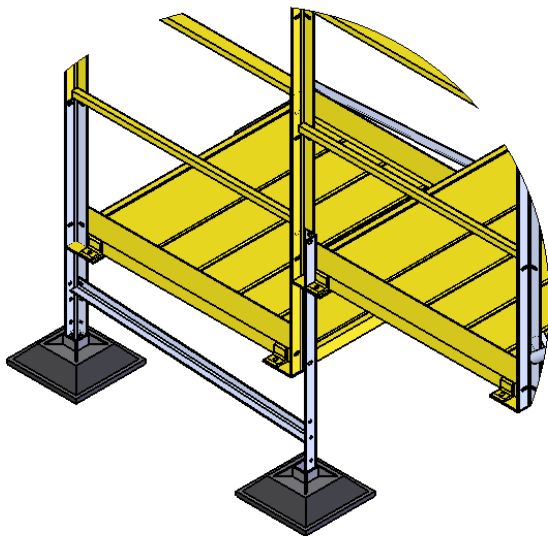
Configurations that contain a 90° turn must have a Leg Kit supporting the turn platform.



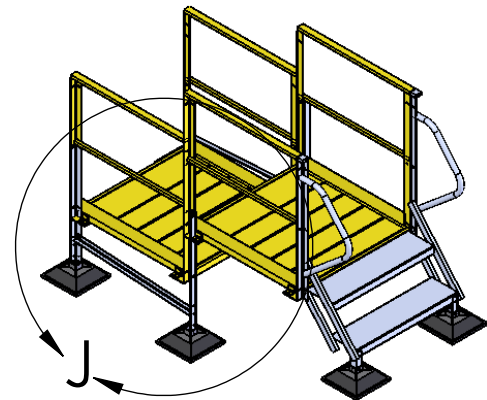
Leg Kits are designed to be installed across (Detail H) or along (Detail J) Bridge configurations

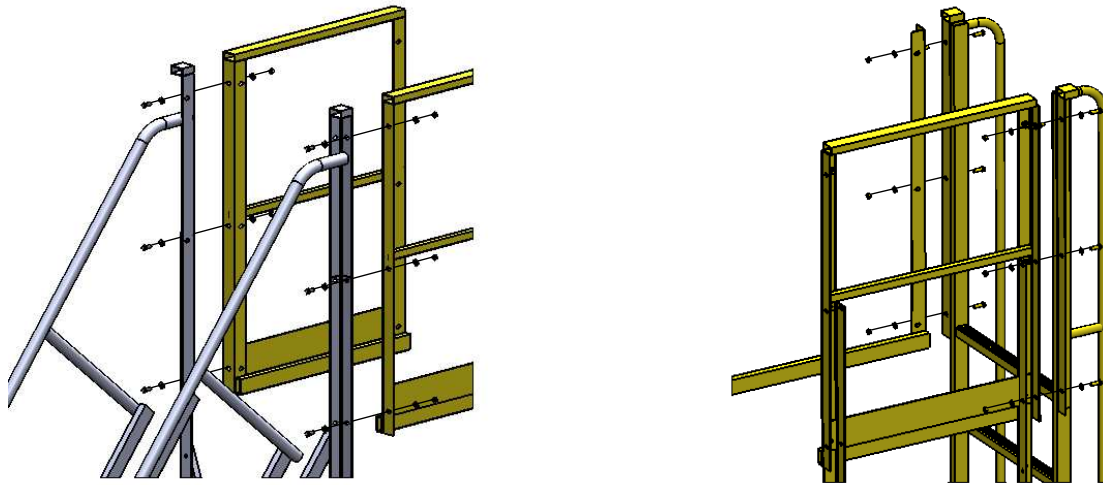


DETAIL H
SCALE 1 : 24



DETAIL J
SCALE 1 : 24





90° Vertical Ladder, 50° Incline Stairs, Bridge Assembly

Fasten the Crossover Bridge and Turn Platform to the adjacent part as shown using (6) 3/8" bolts and nuts and (12) washers (included) for each adjacent part. Torque bolts to 30 Ft-Lbs.

Do not face threaded end of the bolt toward the traveled side of the ladder or platform. Do not fully tighten fasteners until all steps are completed.

Rooftop Crossover Bridges include tiedown points on each outside corner. These tiedown points should be utilized in all rooftop applications to prevent damage from tip-over due to wind resistance.

LEG KIT REQUIRED IF ANY SPAN EXCEEDS 120"

If any connected parts create a span greater than 120", a Leg Kit is required. Install a Leg Kit to reduce span to 120" or less as per Leg Kit assembly Instructions

ENSURE ALL FASTERS ARE SECURELY TIGHTENED BEFORE USE.

OPERATING AND MAINTENANCE INSTRUCTIONS

(Read the entire sheet carefully and retain for future reference)

LADDER INSPECTION

- Upon receipt, inspect each unit immediately for damage incurred during shipping. If damage has occurred, sign for ladder as **DAMAGED**, contact the freight carrier and the manufacturer immediately. **DO NOT USE LADDER.**
- Inspect all ladders prior to each use, any ladders damaged or weakened from any cause shall be destroyed. **NEVER** climb a damaged ladder.
- If assembly is required ensure all bracing is properly fitted.
- Ensure that all rubber tips are installed on all legs. Replace all tips that are worn.
- Check brake mechanism. All legs must rest firmly on the floor before climbing.
- Ensure all fasteners are properly tightened.
- Missing or worn labels must be replaced, please contact the manufacturer.

LADDER USE

- All employees shall be instructed by employer in the proper use of the unit, and shall read the operating instructions before being allowed to use any unit.
- Employees must read and obey all instruction labels attached to the unit.
- Units must not be loaded beyond the weight marked on the label.
- The user shall face the ladder and use the handrail when ascending or descending. Overreaching while on unit could cause instability and result in a fall.
- Additional height shall not be gained by the addition of any type of extension or object being placed on the unit.
- Do not stand on railing or top guardrail. The user shall not ascend farther than the top step.
- Foreign material such as grease shall be removed from shoes prior to ascent of unit.
- Access to or egress from any step or platform from any other elevated surface shall be prohibited unless the unit has been positively secured against any movement.
- **DO NOT USE** ladder when occupied.
- **DO NOT USE** near open electrical circuits, contact with an energized circuit or conductor will cause an electrical shock.
- **DO NOT USE** in front of a door unless the door is secured in an open position, locked or guarded.
- **DO NOT USE** on an uneven or sloping surface, units are to be used on a flat level surface.
- **DO NOT USE** if you tire easily, are subject to fainting spells, use medicine, alcohol, or are physically handicapped.