
 TECHNICAL DATA SHEET

ABB cable glands – NBBG-G series

Black Beauty® general purpose nylon cable glands



Ideal for all industrial OEM and MRO applications, hand tighten, high mechanical pull out performance.

Certifications / Standards:


Features & Benefits:

- Large cable clamping range
- Liquid tight mechanical grip
- Full length busing seal protects cable
- Extended pull out performance
- Corrosion resistant

Applications:

- General purpose
- Machine building
- Maintenance and repair
- Suitable for cable types:
 - Non-armoured
 - Portable

Material:

- Halogen free nylon construction
- Neoprene or TPV sealing ring
- Nylon chuck

Environmental ratings:
Working Temperature:

- Normal use: -34 to +105°C (-29 to +221°F)

Ingress protection:

To ensure ingress protection, use suitable gasket and lock nut when required.

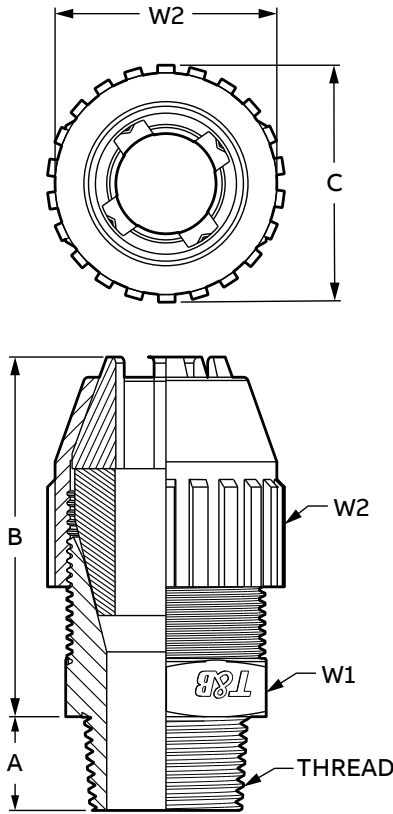
- TYPE 4X (With 5262 Series Sealing Rings)
- Wet and Dry Locations

Chemical resistance guide:

- See publication TDS000081

Conforms to:

- UL514B
- CSA C22.2 No. 18.3
- CSA C22.1
- RoHS (Restriction of Hazardous Substances Directive) 2011/65/EU Incorporating 2015/863 amendment to Annex II



Product selection								
Part no:	Thread (NPT)	Cable range			Nominal dimensions			
		Min	Max	A	B	C	W1	W2
2671	3/8	3.18	6.99	11.76	39.04	22.86	19.81	21.34
		(0.125)	(0.275)	(0.463)	(1.537)	(0.900)	(0.780)	(0.840)
2690	1/2	3.18	6.99	15.37	41.78	29.34	25.40	21.34
		(0.125)	(0.275)	(0.605)	(1.645)	(1.155)	(1.000)	(0.840)
2672	1/2	6.35	10.16	15.37	50.52	31.98	27.79	30.35
		(0.250)	(0.400)	(0.605)	(1.989)	(1.259)	(1.094)	(1.195)
2673	1/2	10.16	14.22	15.37	50.52	31.98	27.79	30.35
		(0.400)	(0.560)	(0.605)	(1.989)	(1.259)	(1.094)	(1.195)
2691	1/2	14.22	17.53	15.37	60.83	38.71	33.53	34.54
		(0.560)	(0.690)	(0.605)	(2.395)	(1.524)	(1.320)	(1.360)
2692	1/2	16.76	19.81	15.37	60.83	38.71	33.53	34.54
		(0.660)	(0.780)	(0.605)	(2.395)	(1.524)	(1.320)	(1.360)
2693	3/4	6.35	10.16	15.67	52.60	35.79	30.99	30.35
		(0.250)	(0.400)	(0.617)	(2.071)	(1.409)	(1.220)	(1.195)
2694	3/4	10.16	14.22	15.67	52.60	35.79	30.99	30.35
		(0.400)	(0.560)	(0.617)	(2.071)	(1.409)	(1.220)	(1.195)
2674	3/4	14.22	17.53	15.67	60.53	38.71	33.53	34.54
		(0.560)	(0.690)	(0.617)	(2.383)	(1.524)	(1.320)	(1.360)
2675	3/4	16.76	19.81	15.67	60.53	38.71	33.53	34.54
		(0.660)	(0.780)	(0.617)	(2.383)	(1.524)	(1.320)	(1.360)
2696	3/4	19.56	22.73	15.67	65.30	47.85	41.66	45.72
		(0.770)	(0.895)	(0.617)	(2.571)	(1.884)	(1.640)	(1.800)
2676	1	16.76	19.81	19.56	64.59	47.85	40.64	45.72
		(0.660)	(0.780)	(0.770)	(2.543)	(1.884)	(1.600)	(1.800)
2677	1	19.56	22.73	19.56	69.34	47.85	40.64	45.72
		(0.770)	(0.895)	(0.770)	(2.730)	(1.884)	(1.600)	(1.800)
2678	1	22.10	25.91	19.56	69.34	47.85	40.64	45.72
		(0.870)	(1.020)	(0.770)	(2.730)	(1.884)	(1.600)	(1.800)
2699	1	22.61	27.69	19.56	83.82	65.38	56.77	62.99
		(0.890)	(1.090)	(0.770)	(3.300)	(2.574)	(2.235)	(2.480)
2702	1-1/4	22.61	27.69	20.17	63.98	65.38	56.39	62.99
		(0.890)	(1.090)	(0.794)	(2.519)	(2.574)	(2.220)	(2.480)
2703	1-1/4	27.43	32.51	20.17	81.43	65.38	56.39	62.99
		(1.080)	(1.280)	(0.794)	(3.206)	(2.574)	(2.220)	(2.480)
2704	1-1/4	32.26	37.34	20.17	81.43	65.38	56.39	62.99
		(1.270)	(1.470)	(0.794)	(3.206)	(2.574)	(2.220)	(2.480)
2705TB	1-1/2	22.61	29.21	20.57	85.80	76.28	66.68	71.63
		(0.890)	(1.150)	(0.810)	(3.378)	(3.003)	(2.625)	(2.820)
2706	1-1/2	28.96	35.56	20.57	88.98	76.99	66.68	71.63
		(1.140)	(1.400)	(0.810)	(3.503)	(3.031)	(2.625)	(2.820)
2707	1-1/2	35.31	41.91	20.57	88.98	76.99	66.68	71.63
		(1.390)	(1.650)	(0.810)	(3.503)	(3.031)	(2.625)	(2.820)
2708	2	30.23	38.86	21.41	107.98	98.98	79.38	85.73
		(1.190)	(1.530)	(0.843)	(4.251)	(3.897)	(3.125)	(3.375)
2709	2	38.61	47.24	21.41	103.20	98.98	79.38	85.73
		(1.520)	(1.860)	(0.843)	(4.063)	(3.897)	(3.125)	(3.375)
2710	2	46.99	55.63	21.41	103.20	98.98	79.38	85.73
		(1.850)	(2.190)	(0.843)	(4.063)	(3.897)	(3.125)	(3.375)

Fittings used in a trade size knockout requiring a Type 4X listing require a 5262 Series sealing ring. Dimensions for reference only.
 Bold numbers are metric, parenthesis numbers are inches.
 Note: Product must be installed in accordance with applicable national and local electrical codes.

