

## Circuit Safe® JIC Enclosures



Manufactured from structural foam thermoplastic, Carlton® Circuit Safe® JIC enclosures provide high impact strength to eliminate dents and deformations along with high dielectric strength, excellent weathering capabilities and excellent resistance to a wide range of corrosive agents, acids, alkalines and salts.

These CSA recognized enclosures also withstand wet and dirty environments, while their thick wall construction make them a particularly good choice wherever condensation is a concern. Rated for use in Type 1, 3, 3S, 3X, 3SX, 4, 4X, 12 and 13 environments, Carlton Circuit Safe JIC enclosures are suited for virtually all indoor/outdoor industrial, MRO and OEM applications.

They are available in 10 sizes from 6 x 6 x 5 through 30 x 24 x 12 with a choice of screw or hinged design, opaque covers, or clear polycarbonate covers which protect devices from hostile environments while allowing monitoring of instrumentation and/or electrical functions.

### Features

- Hinge caps make covers captive
- Nonmetallic molded-in hinges on hinged models
- No rough corners, sharp edges or burrs
- Non conductive – eliminates danger of electrical shock
- Lid design provides greater usable internal volume
- Ample interior space for ease of wiring
- Fully gasketed
- Ultraviolet stabilized for outdoor use

### Applications

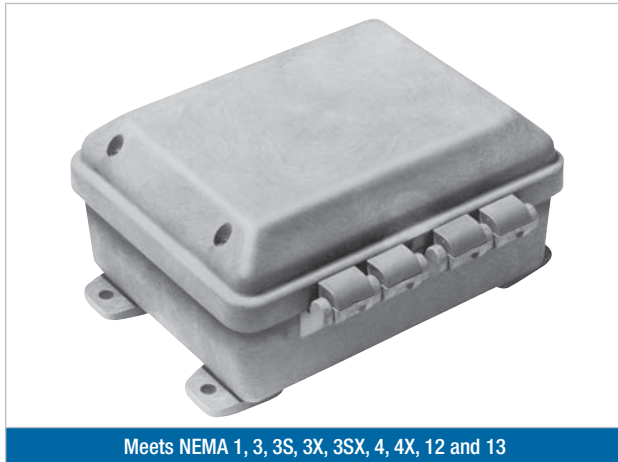
- Instrument case
- Junction and terminal boxes
- Control and switching enclosures
- Splice and pull boxes
- Starter, pushbutton and transformer housings
- Meter and transformer cabinets

### Standards

- Meets NEMA Types 1, 3, 3S, 3X, 3SX, 4, 4X, 12 and 13 as indicated
- CSA Certified
- JIC compliance

## Circuit Safe® JIC Enclosures

### Hinged Covers



Meets NEMA 1, 3, 3S, 3X, 3SX, 4, 4X, 12 and 13

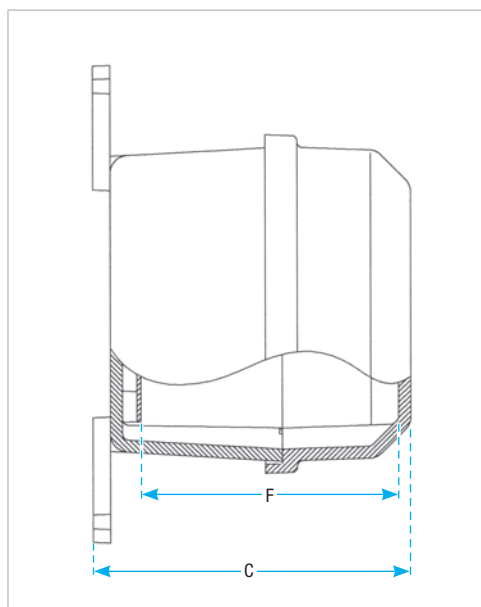
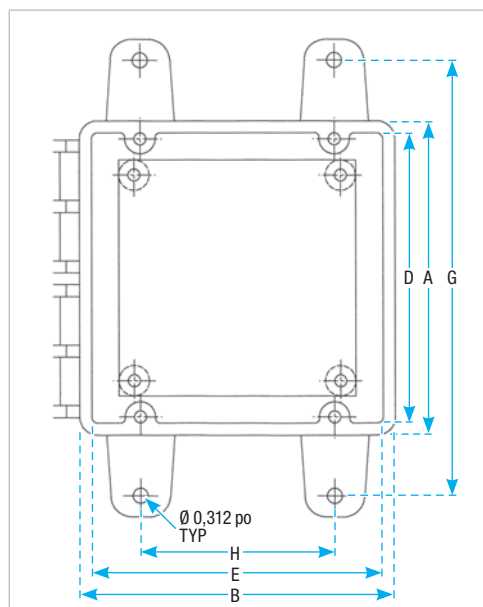
### Features

- Nonmetallic mounting feet and all mounting hardware included
- White painted 14 gauge steel or 1/4 in. PVC back panel (order separately)
- 304 (18-8) stainless steel screws (10-32 x 1-1/8 in.)
- Lid design provides greater usable internal volume
- Completely nonmetallic hinges
- Brass screw inserts
- Temperature Range: -34° to 110°C
- Material: polycarbonate molded base and cover

### Factory Assembled

Opaque Lid Cat. No.	Clear Lid Cat. No.	External (in.)			Internal (in.)			Mounting (in.)		Std. Wt. (lb.) Opaque/Clear	Back Panel* Cat. No. Steel / PVC	Panel Size (in.)	Std. Wt. (lb.) Steel / PVC
		A	B	C	D	E	F	G	H				
<b>CJ665</b>	<b>CC665</b>	6.50	6.50	6.69	6.00	6.00	5.45	9.00	4.00	1 (opa. 3.5) / 1 (trans. 3.1)	<b>JP66 / JP66P</b>	4.88 x 4.88	1 (1.0) / 1 (0.3)
<b>CJ863</b>	<b>CC863</b>	8.50	6.50	4.49	8.00	6.00	3.25	11.00	4.00	1 (opa. 2.8) / 1 (trans. 3.1)	<b>JP86 / JP86P</b>	6.75 x 4.88	1 (1.0) / 1 (0.78)
<b>CJ1085</b>	<b>CC1085</b>	10.50	8.50	6.69	10.00	8.00	5.45	13.00	6.00	1 (opa. 5.2) / 1 (trans. 5.2)	<b>JP108 / JP108P</b>	8.75 x 6.88	1 (1.5) / 1 (0.7)
<b>CJ12106</b>	<b>CC12106</b>	12.50	10.50	7.69	12.00	10.00	6.45	15.00	8.00	1 (opa. 7.1) / 1 (trans. 8.4)	<b>JP1210 / JP1210P</b>	10.75 x 8.88	1 (2.0) / 1 (1.2)
<b>CJ14126</b>	<b>CC14126</b>	14.50	12.50	7.72	14.00	12.00	6.48	17.00	10.00	1 (opa. 9.0) / 1 (trans. 8.6)	<b>JP1412 / JP1412P</b>	12.75 x 10.88	1 (3.2) / 1 (1.7)
<b>CJ16147</b>	<b>CC16147</b>	16.50	14.50	8.46	16.00	14.00	7.22	19.00	12.00	1 (opa. 10.6) / 1 (trans. 11.9)	<b>JP1614 / JP1614P</b>	14.75 x 12.88	1 (4.7) / 1 (2.3)

\*Order back panels separately. Enclosures shipped with mounting feet, hinge caps and screws  
For factory installed pad lockable latch (Cat. No. CJTL), contact your Regional Sales Office for price and delivery



## Circuit Safe® JIC Enclosures

### Screw-On Covers



Meets NEMA 1, 3, 3S, 3X, 3SX, 4, 4X, 12 and 13

### Features

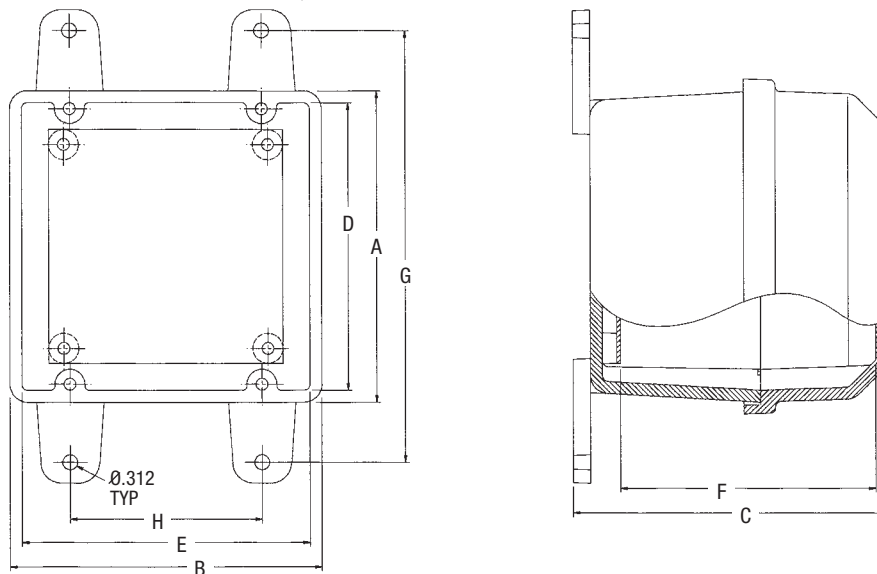
- Nonmetallic mounting feet and all mounting hardware included
- 304 (18-8) stainless steel screws (10-32 x 1-1/8 in.)
- Brass screw inserts
- Clear polycarbonate cover available
- White painted 14 gauge steel or 1/4 in. PVC back panel (order separately)
- Lid design provides greater usable internal volume
- Temperature Range: -34° to 110°C
- Material: polycarbonate molded base and cover

### Factory Assembled



Opaque Lid Cat. No.	Clear Lid Cat. No.	External			Internal			Mounting (in.)		Std. Ctn. Qty. (lb.) Opaque/Clear	Back Panel* Cat. No. Steel / PVC	Panel Size (in.)	Std. Ctn. Qty. (lb.) Steel / PVC
		A	B	C	D	E	F	G	H				
<b>CS665</b>	<b>CV665</b>	6.50	6.50	6.69	6.00	6.00	5.45	9.00	4.00	1 (opa. 2.7) / 1 (trans. 2.9)	JP66 / JP66P	4.88 x 4.88	1 (1.0) / 1 (0.3)
<b>CS863</b>	<b>CV863</b>	8.50	6.50	4.49	8.00	6.00	3.25	11.00	4.00	1 (opa. 2.9) / 1 (trans. 2.9)	JP86 / JP86P	6.75 x 4.88	1 (1.0) / 1 (0.78)
<b>CS1085</b>	<b>CV1085</b>	10.50	8.50	6.69	10.00	8.00	5.45	13.00	6.00	1 (opa. 5.0) / 1 (trans. 5.0)	JP108 / JP108P	8.75 x 6.88	1 (1.5) / 1 (0.7)
<b>CS12106</b>	<b>CV12106</b>	12.50	10.50	7.69	12.00	10.00	6.45	15.00	8.00	1 (opa. 6.5) / 1 (trans. 7.2)	JP1210 / JP1210P	10.75 x 8.88	1 (2.0) / 1 (1.2)
<b>CS14126</b>	<b>CV14126</b>	14.50	12.50	7.72	14.00	12.00	6.48	17.00	10.00	1 (opa. 8.0) / 1 (trans. 8.8)	JP1412 / JP1412P	12.75 x 10.88	1 (3.2) / 1 (1.7)
<b>CS16147</b>	<b>CV16147</b>	16.50	14.50	8.46	16.00	14.00	7.22	19.00	12.00	1 (opa. 11.5) / 1 (trans. 10.8)	JP1614 / JP1614P	14.75 x 12.88	1 (4.7) / 1 (2.3)

\*Order back panels separately  
Enclosures shipped with mounting feet and panel mounting hardware



## Circuit Safe® JIC Enclosures

### Medium Hinge Covers

Meets NEMA 1, 3, 3S, 3X, 3SX, 4, 4X, 12 and 13



### Features

- Nonmetallic mounting feet and all mounting hardware included
- White painted 14 gauge steel or 1/4 in. PVC back panel (order separately)
- 304 (18-8) stainless steel screws (10-32 x 1-1/8 in.)
- Completely nonmetallic hinges
- Brass screw inserts
- Temperature Range: -40° to 85°C
- Material: NORYL base and cover

### Factory Assembled

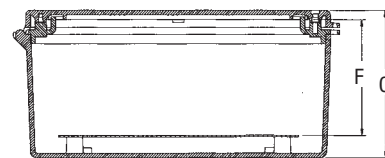
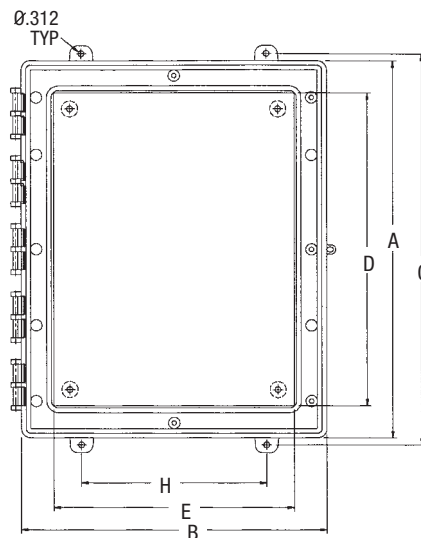
Cat. No.	External			Internal			Mounting (in.)		Std. Ctn. Qty. (lb.)	Back Panel* Cat. No. Steel / PVC	Panel Size	Std. Ctn. Qty. (lb.) Steel / PVC
	A	B	C	D	E	F	G	H				
<b>C2016A4</b>	20.50	16.50	8.36	17.25	13.25	6.28	21.26	10.00	1 (15.1)	NP2016/NP2016P	17 x 13.25	1 (7.0) / 1 (6.1)
<b>C2016B4</b>	20.50	16.50	10.36	17.25	13.25	8.28	21.26	10.00	1 (17.2)	NP2016/NP2016P	17 x 13.25	1 (7.0) / 1 (6.1)
<b>C2016C4</b>	20.50	16.50	12.36	17.25	13.25	10.25	21.26	10.00	1 (19.7)	NP2016/NP2016P	17 x 13.25	1 (7.0) / 1 (6.1)
<b>C2420A4</b>	24.50	20.50	8.36	21.25	17.25	6.28	25.26	14.00	1 (21.5)	NP2420/NP2420P	21 x 17	1 (10.4) / 1 (4.7)
<b>C2420B4</b>	24.50	20.50	10.36	21.25	17.25	8.28	25.26	14.00	1 (24)	NP2420/NP2420P	21 x 17	1 (10.4) / 1 (4.7)
<b>C2420C4</b>	24.50	20.50	12.36	21.25	17.25	10.28	31.26	14.00	1 (24.9)	NP2420/NP2420P	21 x 17	1 (10.4) / 1 (4.7)
<b>C3024A4</b>	30.50	24.50	8.36	27.25	21.25	6.28	31.26	18.00	1 (28.4)	NP3024/NP3024P	27 x 21	1 (18.0) / 1 (9.8)
<b>C3024B4</b>	30.50	24.50	10.36	27.25	21.25	8.28	31.26	18.00	1 (31.4)	NP3024/NP3024P	27 x 21	1 (18.0) / 1 (9.8)
<b>C3024C4</b>	30.50	24.50	12.36	27.25	21.25	10.28	31.26	18.00	1 (33.8)	NP3024/NP3024P	27 x 21	1 (18.0) / 1 (9.8)

Enclosure only available with opaque hinged cover

Enclosures shipped with mounting feet, hinge caps and screws

\*Order back panels separately

For factory installed pad lockable latch (Cat. No. CJTL), contact your Regional Sales Office for price and delivery



## Circuit Safe® JIC Enclosures

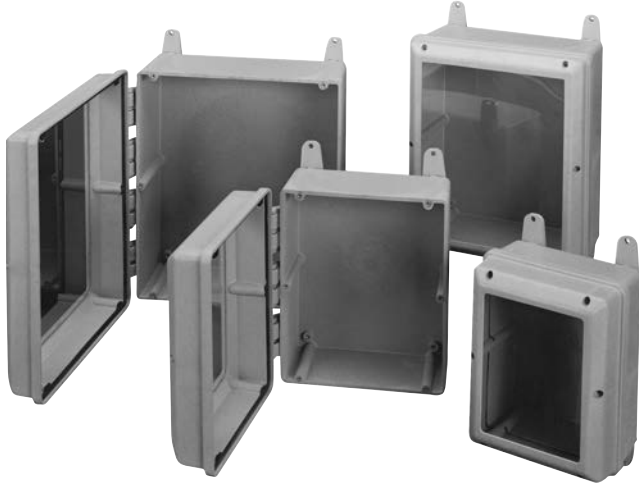
### Hinged Window Cover

Meets NEMA 1, 3, 3S, 3X, 3SX, 4, 4X, 12 and 13

#### Features

- Nonmetallic mounting feet and all mounting hardware included
- 304 (18-8) stainless steel screw (10-32 x 1-1/8 in.)
- White painted 14 gauge steel or 1/4 in. PVC back panel (order separately)
- Completely nonmetallic hinges
- Lid design provides greater usable internal volume
- Brass screw inserts
- Material: polycarbonate molded base and cover

Note: Window material 1/8 in. thick clear polycarbonate is permanently bonded to the cover.



### Factory Assembled



Cat. No.	External				Internal			Mounting (in.)			Std. Ctn. Qty. (lb.)	Back Panel* Cat. No. Steel / PVC	Panel Size (in.)	Std. Ctn. Qty. (lb.) Steel / PVC
	A	B	C	D	E	F	G	H	J	K				
<b>J665W</b>	6.50	6.50	6.69	6.00	6.00	5.45	9.00	4.00	3.75	3.75	1 (3.1)	JP66 / JP66P	4.88 x 4.88	1 (1.0) / 1 (0.3)
<b>J863W</b>	8.50	6.50	4.49	8.00	6.00	3.25	11.00	4.00	3.75	3.75	1 (3.2)	JP86 / JP86P	6.75 x 4.88	1 (1.0) / 1 (0.78)
<b>J1085W</b>	10.50	8.50	6.69	10.00	8.00	5.45	13.00	6.00	7.75	5.75	1 (5.6)	JP108 / JP108P	8.75 x 6.88	1 (1.5) / 1 (0.7)
<b>J12106W</b>	12.50	10.50	7.69	12.00	10.00	6.45	15.00	8.00	6.75	7.75	1 (7.4)	JP1210 / JP1210P	10.75 x 8.88	1 (2.0) / 1 (1.2)
<b>J14126W</b>	14.50	12.50	7.72	14.00	12.00	6.48	17.00	10.00	11.75	9.75	1 (9)	JP1412 / JP1412P	12.75 x 10.88	1 (3.2) / 1 (1.7)
<b>J16147W</b>	16.50	14.50	8.46	16.00	14.00	7.22	19.00	12.00	13.75	11.75	1 (9.3)	JP1614 / JP1614P	14.75 x 12.88	1 (4.7) / 1 (2.3)

Enclosures shipped with mounting feet, hinge caps and screws

\*Order back panels separately

For factory installed pad lockable quick-release latch (Cat. No. CJTL), contact your Regional Sales Office for price and delivery

