

# 600W Dimmer with Z-Wave Technology

decora smart™



## APPLICATION

The Z-Wave Plus 600W Dimmer uses the latest generation of Leviton's dimming technology for lighting control products. It supports dimmable LED and CFL technologies up to 300 Watts along with support for legacy incandescent lighting loads up to 600 Watts. The DZ6HD is Z-Wave Plus certified, ensuring the latest technology, increased communication range, network wide inclusion, and over the air updates. The new lighting control accessories are engineered to function with extremely sensitive, low-wattage light sources, such as a single LED bulb in a hallway or a strand of holiday lights, ensuring LEDs do not glow when off. The highly advanced design features two-way feedback, is scene capable, and is supported by security systems, hubs, and gateways that are Z-Wave enabled, providing remote access and scheduling abilities.

## AESTHETICS

Dimmers leverage the popular Decora form factor and styling, along with compatible accessories including three-way devices, color change kits, and wallplates. The dimmers feature true rocker action, pressing

the top to turn on and the bottom to turn off. Additionally, the dim/brighten bar is conveniently located along the right side of the paddle, ensuring ease of use with the state-of-the-art device. Vanishing LEDs on the left side of the paddle show current and target light level with real-time feedback. For the most professional and cleanest installation, pair the device with an optional Leviton screwless wallplate.

## Z-WAVE PLUS CERTIFICATION

- Increased communication range
- Network Wide Inclusion
- Support for beaming and secure commands
- Over The Air (OTA) updates

## FEATURES AND BENEFITS

- Rated for dimmable CFL and LED loads up to 300W
- Rated for incandescent loads up to 600W
- Compatible with Leviton vizia rf + systems
- Soft fade on/off
- On/off LED (bottom) and Brightness Level LED (left side)
- Multi-location (3-way) dimming is achieved using up to 4 remote units, DD00R-DL
- Frequency: 908.42 MHz.

## RATINGS

- Incandescent - 600W - 120VAC, 60Hz
- LED/CFL - 300W - 120VAC, 60Hz

## AGENCY STANDARDS AND COMPLIANCE

- Complies with UL 1472
- CSA Certified (File #003413)
- NOM-ANCE Certified
- Complies with FCC Part 15, Class B
- Z-Wave Plus Certified

## WARRANTY INFORMATION

Five-Year Limited Warranty

### Leviton Manufacturing Co., Inc. Global Headquarters

201 N. Service Rd. Melville, NY 11747-3138 Tech Line: 1-800-824-3005 Fax: 1-800-832-9538

### Leviton Manufacturing Co., Inc. Energy Management, Controls and Automation.

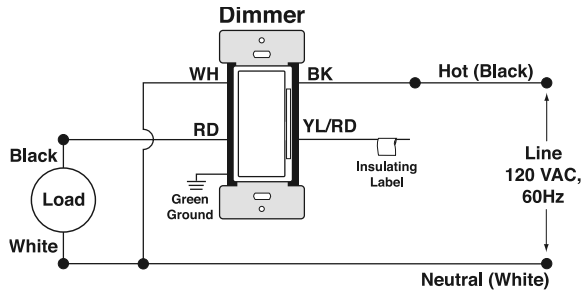
865 Fulton St., Suite 500, New Orleans, LA, 70130 Tel: 1-504-608-9001

Visit our Website at: [www.leviton.com/decorasmart](http://www.leviton.com/decorasmart)

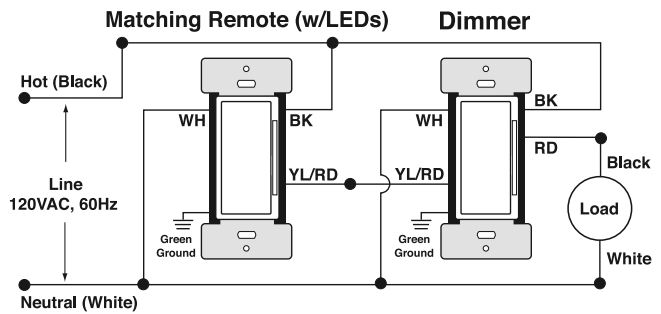
©2017 Leviton Manufacturing Co., Inc. All rights reserved. Subject to change without notice.

600W Dimmer with Z-Wave Technology

**SINGLE POLE WIRING DIAGRAM**



**THREE-WAY WIRING DIAGRAM**



**ORDERING INFORMATION**

| DESCRIPTION                            | CAT. NO.  |
|--|-----------|
| 600 Watt Dimmer with Z-Wave Technology | DZ6HD-1BZ |
| Matching Dimmer Remote                 | DD00R-DL  |

**Leviton Manufacturing Co., Inc. Global Headquarters**

201 N. Service Rd. Melville, NY 11747-3138 Tech Line: 1-800-824-3005 Fax: 1-800-832-9538

**Leviton Manufacturing Co., Inc. Energy Management, Controls and Automation.**

865 Fulton St., Suite 500, New Orleans, LA, 70130 Tel: 1-504-608-9001

Visit our Website at: [www.leviton.com/decorasmart](http://www.leviton.com/decorasmart)

©2017 Leviton Manufacturing Co., Inc. All rights reserved. Subject to change without notice.

SAT-10109  
REV DEC 2017