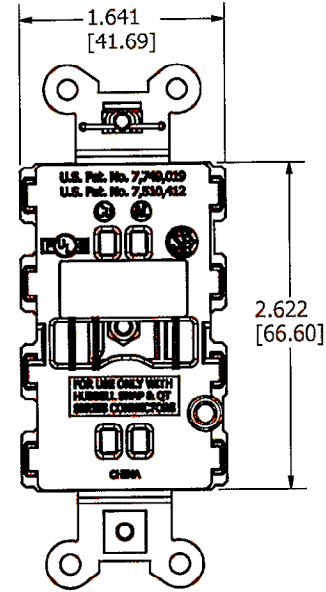
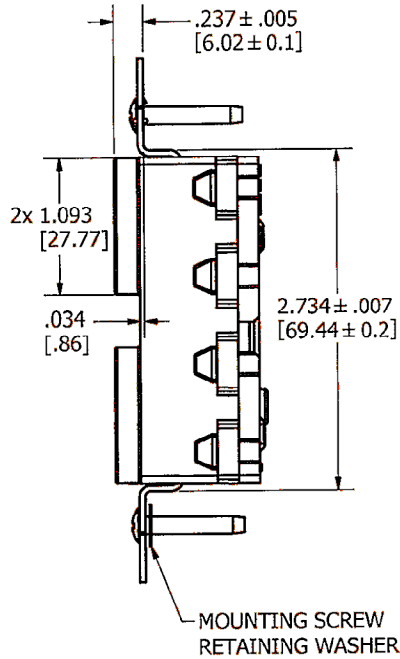
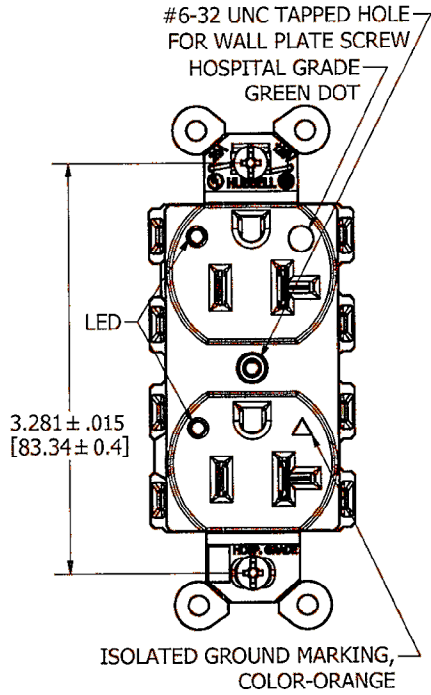


M-12321

3



LIST OF PARTS

DESCRIPTION	MATERIAL	FINISH
TOP	NYLON 6/6	SPI A-3
BASE	NYLON 6/6	SPI A-3
LINE CONTACTS	BRASS	
GROUND CONTACT	BRASS	
SHUNT	BRASS	
BRIDGE	.04 GALV STL	
STAPLE	S.S.	
WASHER	PVC FILM	BLACK
MOUNTING SCREWS	STEEL	ZINC PLT
INSULATION PLATE	MITSUBISI HI S2000	SPI/SPE B1

3	01/17/2013 UPDATED FOR NEW LOCATION OF HG "DOT" AND IG "TRIANGLE" PER DCN19283 EB	TLS TLS	
---	--	------------	--

RATING	BROWN	IVORY	GRAY	WHITE	BLACK	ALMOND	LIGHT ALMOND	OFFICE WHITE	ORANGE	RED	BLUE
15A	--	--	--	--	--	--	--	--	SNAP8200IGL	SNAP8200RIGL	--
20A	--	--	--	--	--	--	--	--	SNAP8200IGL	SNAP8300RIGL	--

THE DESIGN AND DIMENSIONS OF THE PRODUCT SHOWN ON THIS DRAWING ARE SUBJECT TO CHANGE WITHOUT NOTICE

TITLE  
DUPLX RECEPTACLE, 15/20A 125V  
IG, LED ONLY, HG

TOLERANCES UNLESS OTHERWISE SPECIFIED	WIRING DEVICE-KELLEMS HUBBELL INCORPORATED SHELTON, CT	
FRACTIONS ±1/64	DR. BY <b>ebazayev</b>	APP. BY
DECIMALS ±.005	TR. BY	SCALE 1:1
ANGLES ±2'	CHK'D BY	DATE 9/5/2012

NOTES:  
1. DIMENSIONS ARE IN INCHES [MM].  
2. ALL DEVICES UL LISTED AND CSA CERTIFIED.