

Roughneck™ single conductor connectivity

CROUSE-HINDS
SERIES

Roughneck

The ultimate performance solution.

Engineered for heavy abuse in extreme conditions.



Rugged.



Reliable.



Safe.



Quick-Connect.

EATON

Powering Business Worldwide



Overview

Full portfolio of drilling solutions	4
Introducing Roughneck™	5

Features and specifications

Receptacles	6
Plugs	7

E1049 series plugs

313 MCM cable	8
444 MCM cable	9
535 MCM cable	10
646 MCM cable	11
777 MCM cable	12

E1049 series receptacles

Rotating latch mechanism	13
Short throw latch mechanism	15

Accessories

Accessories	17
Dimensions	17



Roughneck connectorsTM for drilling applications

Reliable, rugged connectors available **when you need it** and certified for use **where you need it.**

Now certified for classified areas!

Standard and hazardous rated options provide maximum flexibility for powering rig sites and portable equipment.

Service & reliability

Over 35 years of field **proven reliability**

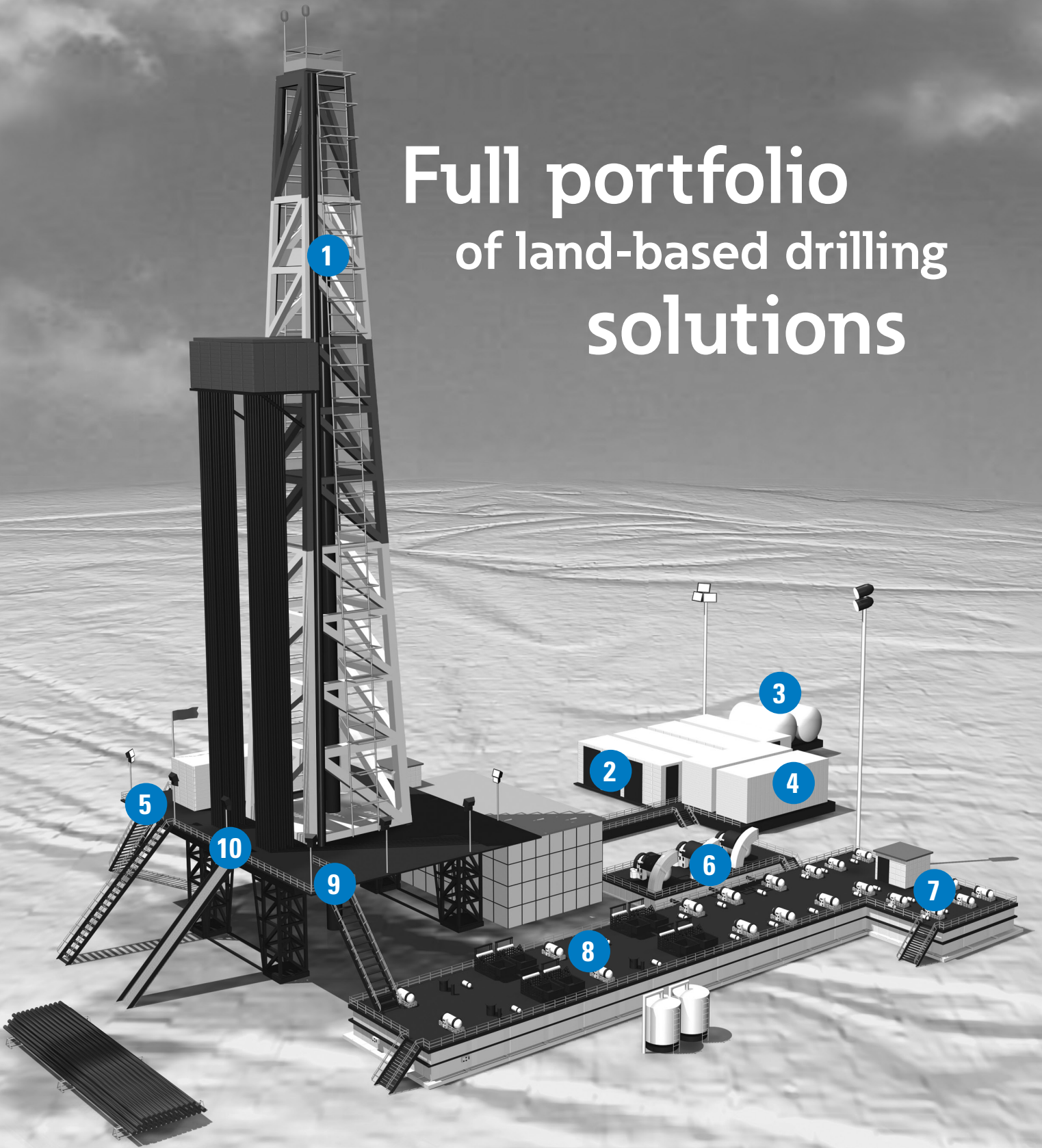
- State-of-the-art precision machining
- Ample machining and molding capacity to meet volatile market demand
- ISO9001 certified facility
- ATEX certified facility



Stocked and available where you need it

- Eaton stock located in:
 - Houston, TX
 - La Grange, NC
 - Nisku, AB
- Distributor inventory located throughout North America
- Contact your local Eaton sales representative to locate a distributor near you

Full portfolio of land-based drilling solutions



- 1 Derrick/Mast
- 2 VFD/Generators
- 3 Fuel Tank
- 4 Motor Control/VFD/SCR House
- 5 Doghouse/ Operator's House
- 6 Power/Pump Station
- 7 Shale Shaker
- 8 Mud Tanks/Pumps
- 9 Drawworks & Top Drive
- 10 Drilling Floor

Roughneck single pole connectors

Quick connect, high amperage, single pole power



Rig location
2, 4, 5, 6, 9, 10

Crouse-Hinds Drilling Solutions

Single pole power



Roughneck™ single pole



Quick connect, high amperage, single conductor connectors built to take heavy abuse while providing a simple, secure and safe connection.

Rig location
2, 4, 5, 6, 9, 10

Roughneck™ C-Rig



Secure, single pole power, rated to 1135A for use in hazardous and normal locations. Coupling nut ideal for high vibration environments.

Rig location
1, 2, 4, 5, 6, 9, 10

Cam-Lok™ single pole



Quickly connect and disconnect power systems safely. Used for motors, generators, indoor and outdoor lighting distribution panels, and numerous other power applications.

Rig location
1, 2, 4, 5, 6, 9, 10

Low to medium amp power



PowerGard™



Supplies power to lighting systems, lighting panels and portable hand tools on land-based rigs.

Rig location
1, 2, 3, 4, 5, 6, 7, 8, 9, 10

PowerMate™



Supplies power to portable devices such as motor generator sets, compressors, heating and cooling, welders and lighting from 30 to 200A.

Rig location
2, 4, 5

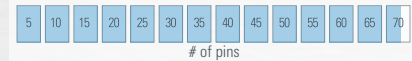
IEC 309 GHG 51



Supplies power to portable devices with requirements of 16 to 125A and features an integrated AC3 rated disconnect switch. Reinforced polyester construction offers reliability from -20° to +55°C.

Rig location
7, 8, 9

Multi-pin control



Roughneck™ multi-pin



Heavy duty control and instrumentation multi-pin connectors for hazardous and harsh industrial use.

Rig location
1, 2, 4, 5, 9, 10

Connectors for harsh/heavy industrial areas



cUL Listed

Connectors for hazardous areas



Zone 1

IECEx AEX rated

Specifications & features

Applications:

- Roughneck plugs and receptacles are built to take heavy abuse while providing a simple, secure and safe connection.
- Roughneck products are designed specifically for oil and gas drilling applications.

Certifications & compliances:

Standard model

- cURus: E73864
- NEMA 3
- CE



Certifications & compliances:

Hazardous rated model

- Class I, Zone 2, AEx ec IIC Gc
- Ex ec IIC Gc
- Class I, Division 2, Groups A, B, C, D
- ⓂII 3 G Ex ec IIC Gc
- In-line connector:
Ta = -25°C to +55°C
- Panel mount:
Ta = -40°C to +55°C
- IP54
- IECEx UL 19.0012U
- DEMKO 19 ATEX 2182U

Standards

- IEC 60079-0, 7th Edition
- IEC 60079-7, 5th Edition
- CENELEC EN 60079-0:2018
- CENELEC EN 60079-7:2015
- UL 60079-0; UL60079-7;
UL 121201
- CSA C22.2 No. 60079-0;
CSA C22.2 No. 60079-7

Materials

- Insulator - rubber
- Receptacle shell - epoxy powder coated aluminum alloy
- Hardware - stainless steel
- Contact - copper



Ball check pin

- Locks latch in place for additional protection in high vibration environments
- Optional on rotating latch
- See page 17 for ordering information



Colored couplers

- Available in epoxy powder coat!
- See page 17 for ordering information

Standard E1049

Ampacity rating at 40°C ambient

CABLE SIZE	90°C†	125°C†
4/0*	405 Amps	510 Amps
262 MCM*	455 Amps	567 Amps
313 MCM	513 Amps	636 Amps
444 MCM	642 Amps	796 Amps
535 MCM	724 Amps	898 Amps
646 MCM	814 Amps	1009 Amps
777 MCM	916 Amps	1135 Amps

†Conductor temperature shall not exceed these ratings.
*See page 17 for ordering information.

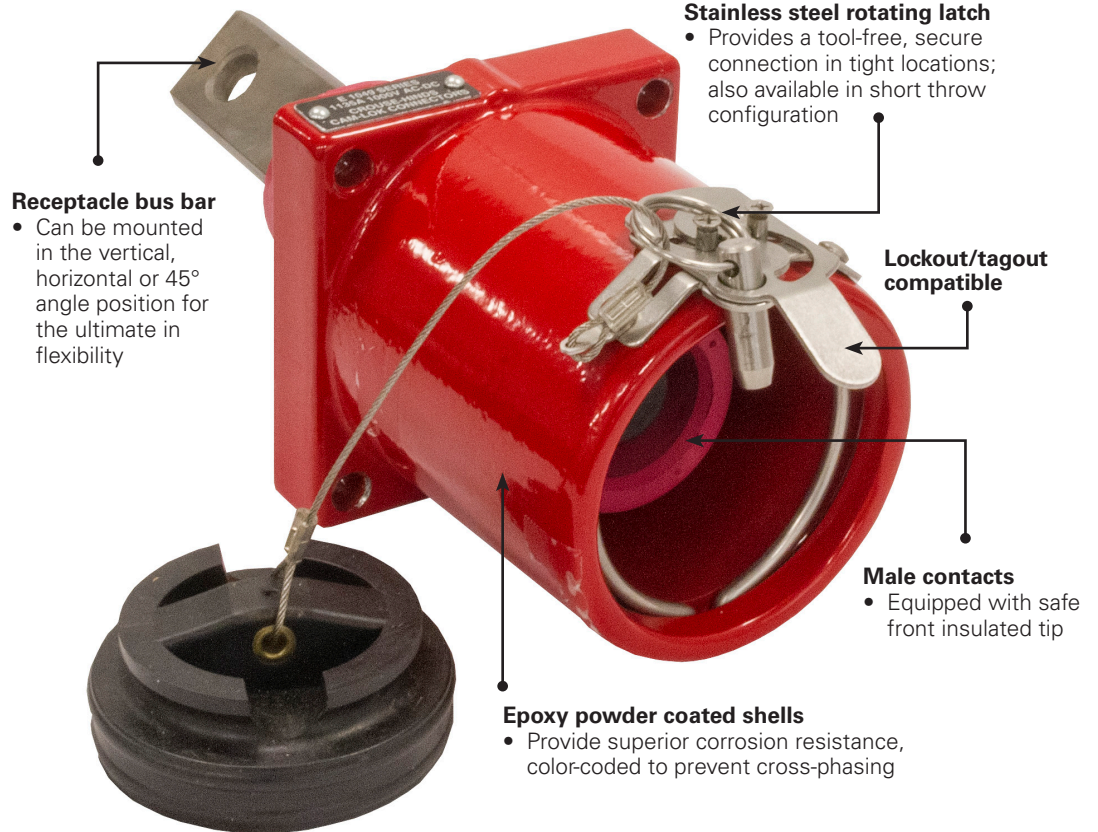
Hazardous rated E1049X

Ampacity rating at 55°C ambient

CABLE SIZE	125°C†
313 MCM	636 Amps
444 MCM	750 Amps
535 MCM	815 Amps
646 MCM	920 Amps
777 MCM	1030 Amps

†Conductor temperature shall not exceed these ratings. Hazardous version to be used with Type P only 313-777 MCM.

Receptacle



Receptacle bus bar

- Can be mounted in the vertical, horizontal or 45° angle position for the ultimate in flexibility

Stainless steel rotating latch

- Provides a tool-free, secure connection in tight locations; also available in short throw configuration

Lockout/tagout compatible

Male contacts

- Equipped with safe front insulated tip

Epoxy powder coated shells

- Provide superior corrosion resistance, color-coded to prevent cross-phasing

E1015 ground lug

- Enables user to terminate ground wire to the shell of the E1049 receptacle
- cURus pending
- See page 17 for ordering information



Plug

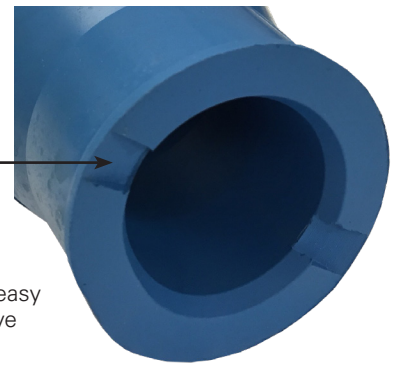


Male contacts

- Equipped with Cam-Lok's safe front insulated tip

Specially plated copper contacts

- Provide minimum resistance and heating



Easy alignment

- Insulator slots allow for easy alignment of contact drive pins and internal locking mechanism



Contact stamp

- All contacts marked with cable size and crimp die

Now certified for use in hazardous areas! Hazardous and normal location rated connectors provide maximum flexibility for powering your rig and equipment.

Available colors - plugs, receptacles & couplers

Ten colors are available to provide easy circuit identification when mating plugs with receptacles. Color coding helps prevent reverse phasing on AC circuits or cross-polarization on DC circuits to assure correct rotation of motors while providing for operator safety.



Roughneck E1049 – Male & female plugs

Cable size: 313 MCM • 1000V AC/DC, up to 636A continuous • NEMA 3

Hex crimp or solder connection

Features

- Contacts machined from solid copper and specially plated for corrosion resistance and superior conductivity
- Color-coded rubber insulator provides quick visual identification of circuit and phase connections
- Watertight insulators provide maximum protection
- Male and female contacts are assembled to cable with standard crimp tools
- Drive pins on contacts securely lock it to the insulator
- Male contacts are equipped with safe front insulated tip

Materials

- Insulator - rubber
- Receptacle shell - epoxy powder coated aluminum alloy
- Hardware - stainless steel
- Contact - copper

Standard E1049

Ampacity rating at 40°C ambient

Cable size	90°C†	125°C†
313 MCM	513 Amps	636 Amps

†Conductor temperature shall not exceed these ratings. Products are to only be used with copper Type P or TC-er cable; cable range of 313-777 MCM.

Hazardous E1049X

Ampacity rating at 55°C ambient

Cable size	125°C†
313 MCM	636 Amps

†Conductor temperature shall not exceed these ratings. Hazardous version to be used with Type P only 313-777 MCM.

Certifications & compliances:

Standard model

- cURus: E73864
- NEMA 3
- CE

Certifications & compliances:

Hazardous rated model

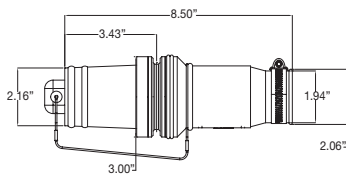
- Class I, Zone 2, AEx ec IIC Gc
- Ex ec IIC Gc
- Class I, Division 2, Groups A, B, C, D
- ⓈII 3 G Ex ec IIC Gc
- In-line connector:
Ta = -25°C to +55°C
- Panel mount:
Ta = -40°C to +55°C
- IP54
- IECEx UL 19.0012U
- DEMKO 19 ATEX 2182U

Standards

- IEC 60079-0, 7th Edition
- IEC 60079-7, 5th Edition
- CENELEC EN 60079-0:2018
- CENELEC EN 60079-7:2015
- UL 60079-0; UL60079-7;
UL 121201
- CSA C22.2 No. 60079-0;
CSA C22.2 No. 60079-7



E1049-34



Male plugs

Part #s – Standard & hazardous models

Connection type & wire size	Color	Complete male connector		Insulator		Contact assembly
		Standard	Hazardous	Standard	Hazardous	
Hexagon crimp or solder 313 MCM	Black	E1049-31	E1049X-31	A201106-1	A201106X-1	Standard A201107-4
	Yellow	E1049-32	E1049X-32	A201106-2	A201106X-2	
	Red	E1049-33	E1049X-33	A201106-3	A201106X-3	
	Orange	E1049-34	E1049X-34	A201106-4	A201106X-4	
	Green	E1049-35	E1049X-35	A201106-5	A201106X-5	
	White	E1049-36	E1049X-36	A201106-6	A201106X-6	
	Blue	E1049-37	E1049X-37	A201106-7	A201106X-7	Hazardous A201107X-4
	Brown	E1049-38	E1049X-38	A201106-8	A201106X-8	
	Purple	E1049-39	E1049X-39	A201106-20	A201106X-20	
	Gray	E1049-40	E1049X-40	A201106-21	A201106X-21	

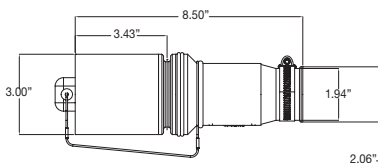
Female plugs

Part #s – Standard & hazardous models

Connection type & wire size	Color	Complete female connector		Insulator		Contact assembly
		Standard	Hazardous	Standard	Hazardous	
Hexagon crimp or solder 313 MCM	Black	E1049-80	E1049X-80	A201100-1	A201100X-1	Standard A201103-4
	Yellow	E1049-81	E1049X-81	A201100-2	A201100X-2	
	Red	E1049-82	E1049X-82	A201100-3	A201100X-3	
	Orange	E1049-83	E1049X-83	A201100-4	A201100X-4	
	Green	E1049-84	E1049X-84	A201100-5	A201100X-5	
	White	E1049-85	E1049X-85	A201100-6	A201100X-6	
	Blue	E1049-86	E1049X-86	A201100-7	A201100X-7	Hazardous A201103X-4
	Brown	E1049-87	E1049X-87	A201100-8	A201100X-8	
	Purple	E1049-88	E1049X-88	A201100-25	A201100X-25	
	Gray	E1049-89	E1049X-89	A201100-26	A201100X-26	



E1049-84



Roughneck E1049 – Male & female plugs

Cable size: 444 MCM • 1000V AC/DC, up to 796A continuous • NEMA 3

Hex crimp or solder connection

Features

- Contacts machined from solid copper and specially plated for corrosion resistance and superior conductivity
- Color-coded rubber insulator provides quick visual identification of circuit and phase connections
- Watertight insulators provide maximum protection
- Male and female contacts are assembled to cable with standard crimp tools
- Drive pins on contacts securely lock it to the insulator
- Male contacts are equipped with safe front insulated tip

Materials

- Insulator - rubber
- Receptacle shell - epoxy powder coated aluminum alloy
- Hardware - stainless steel
- Contact - copper

Standard E1049

Ampacity rating at 40°C ambient

Cable size	90°C†	125°C†
444 MCM	642 Amps	796 Amps

†Conductor temperature shall not exceed these ratings. Products are to only be used with copper Type P or TC-er cable; cable range of 313-777 MCM.

Hazardous E1049X

Ampacity rating at 55°C ambient

Cable size	125°C†
444 MCM	750 Amps

†Conductor temperature shall not exceed these ratings. Hazardous version to be used with Type P only 313-777 MCM.

Certifications & compliances: Standard model

- cURus: E73864
- NEMA 3
- CE

Certifications & compliances: Hazardous rated model

- Class I, Zone 2, AEx ec IIC Gc
- Ex ec IIC Gc
- Class I, Division 2, Groups A, B, C, D
- ⓈII 3 G Ex ec IIC Gc
- In-line connector:
Ta = -25°C to +55°C
Panel mount:
Ta = -40°C to +55°C
- IP54
- IECEx UL 19.0012U
- DEMKO 19 ATEX 2182U

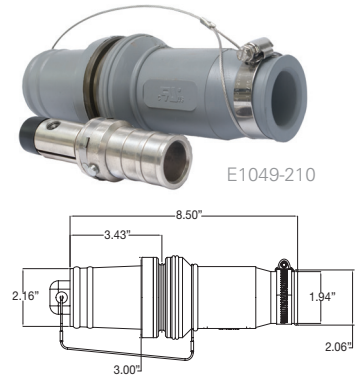
Standards

- IEC 60079-0, 7th Edition
- IEC 60079-7, 5th Edition
- CENELEC EN 60079-0:2018
- CENELEC EN 60079-7:2015
- UL 60079-0; UL60079-7; UL 121201
- CSA C22.2 No. 60079-0; CSA C22.2 No. 60079-7

Male plugs

Part #s – Standard & hazardous models

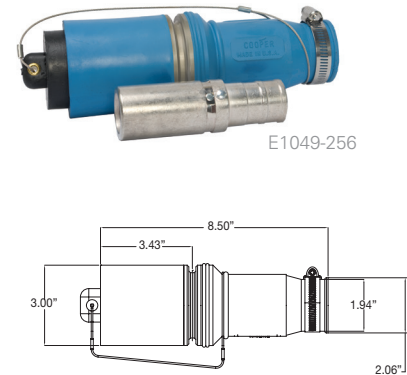
Connection type & wire size	Color	Complete male connector				Insulator	Contact assembly
		Standard	Hazardous	Standard	Hazardous		
		Hexagon crimp or solder 444 MCM	Black	E1049-201	E1049X-201		
Yellow	E1049-202	E1049X-202	A201106-2	A201106X-2			
Red	E1049-203	E1049X-203	A201106-3	A201106X-3			
Orange	E1049-204	E1049X-204	A201106-4	A201106X-4			
Green	E1049-205	E1049X-205	A201106-5	A201106X-5			
White	E1049-206	E1049X-206	A201106-6	A201106X-6			
Blue	E1049-207	E1049X-207	A201106-7	A201106X-7			
Brown	E1049-208	E1049X-208	A201106-8	A201106X-8			
Purple	E1049-209	E1049X-209	A201106-20	A201106X-20			
Gray	E1049-210	E1049X-210	A201106-21	A201106X-21			



Female plugs

Part #s – Standard & hazardous models

Connection type & wire size	Color	Complete female connector				Insulator	Contact assembly
		Standard	Hazardous	Standard	Hazardous		
		Hexagon crimp or solder 444 MCM	Black	E1049-250	E1049X-250		
Yellow	E1049-251	E1049X-251	A201100-2	A201100X-2			
Red	E1049-252	E1049X-252	A201100-3	A201100X-3			
Orange	E1049-253	E1049X-253	A201100-4	A201100X-4			
Green	E1049-254	E1049X-254	A201100-5	A201100X-5			
White	E1049-255	E1049X-255	A201100-6	A201100X-6			
Blue	E1049-256	E1049X-256	A201100-7	A201100X-7			
Brown	E1049-257	E1049X-257	A201100-8	A201100X-8			
Purple	E1049-258	E1049X-258	A201100-25	A201100X-25			
Gray	E1049-259	E1049X-259	A201100-26	A201100X-26			



Roughneck E1049 – Male & female plugs

Cable size: 535 MCM • 1000V AC/DC, up to 898A continuous • NEMA 3

Hex crimp or solder connection

Features

- Contacts machined from solid copper and specially plated for corrosion resistance and superior conductivity
- Color-coded rubber insulator provides quick visual identification of circuit and phase connections
- Watertight insulators provide maximum protection
- Male and female contacts are assembled to cable with standard crimp tools
- Drive pins on contacts securely lock it to the insulator
- Male contacts are equipped with safe front insulated tip

Materials

- Insulator - rubber
- Receptacle shell - epoxy powder coated aluminum alloy
- Hardware - stainless steel
- Contact - copper

Standard E1049

Ampacity rating at 40°C ambient

Cable size	90°C†	125°C†
535 MCM	724 Amps	898 Amps

†Conductor temperature shall not exceed these ratings. Products are to only be used with copper Type P or TC-er cable; cable range of 313-777 MCM.

Hazardous E1049X

Ampacity rating at 55°C ambient

Cable size	125°C†
535 MCM	815 Amps

†Conductor temperature shall not exceed these ratings. Hazardous version to be used with Type P only 313-777 MCM.

Certifications & compliances:

Standard model

- cURus: E73864
- NEMA 3
- CE

Certifications & compliances:

Hazardous rated model

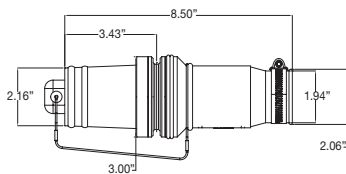
- Class I, Zone 2, AEx ec IIC Gc
- Ex ec IIC Gc
- Class I, Division 2, Groups A, B, C, D
- ⓈII 3 G Ex ec IIC Gc
- In-line connector:
Ta = -25°C to +55°C
- Panel mount:
Ta = -40°C to +55°C
- IP54
- IECEx UL 19.0012U
- DEMKO 19 ATEX 2182U

Standards

- IEC 60079-0, 7th Edition
- IEC 60079-7, 5th Edition
- CENELEC EN 60079-0:2018
- CENELEC EN 60079-7:2015
- UL 60079-0; UL60079-7;
UL 121201
- CSA C22.2 No. 60079-0;
CSA C22.2 No. 60079-7



E1049-10



Male plugs

Connection type & wire size

Hexagon crimp or solder
535 MCM

Part #s – Standard & hazardous models

Color	Complete male connector		Insulator		Contact assembly
	Standard	Hazardous	Standard	Hazardous	
Black	E1049-1	E1049X-1	A201106-1	A201106X-1	Standard A201107-1 Hazardous A201107X-1
Yellow	E1049-2	E1049X-2	A201106-2	A201106X-2	
Red	E1049-3	E1049X-3	A201106-3	A201106X-3	
Orange	E1049-4	E1049X-4	A201106-4	A201106X-4	
Green	E1049-5	E1049X-5	A201106-5	A201106X-5	
White	E1049-6	E1049X-6	A201106-6	A201106X-6	
Blue	E1049-7	E1049X-7	A201106-7	A201106X-7	
Brown	E1049-8	E1049X-8	A201106-8	A201106X-8	
Purple	E1049-9	E1049X-9	A201106-20	A201106X-20	
Gray	E1049-10	E1049X-10	A201106-21	A201106X-21	

Female plugs

Connection type & wire size

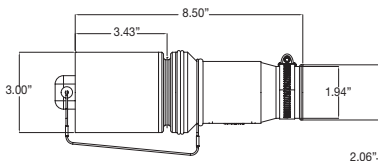
Hexagon crimp or solder
535 MCM

Part #s – Standard & hazardous models

Color	Complete female connector		Insulator		Contact assembly
	Standard	Hazardous	Standard	Hazardous	
Black	E1049-50	E1049X-50	A201100-1	A201100X-1	Standard A201103-1 Hazardous A201103X-1
Yellow	E1049-51	E1049X-51	A201100-2	A201100X-2	
Red	E1049-52	E1049X-52	A201100-3	A201100X-3	
Orange	E1049-53	E1049X-53	A201100-4	A201100X-4	
Green	E1049-54	E1049X-54	A201100-5	A201100X-5	
White	E1049-55	E1049X-55	A201100-6	A201100X-6	
Blue	E1049-56	E1049X-56	A201100-7	A201100X-7	
Brown	E1049-57	E1049X-57	A201100-8	A201100X-8	
Purple	E1049-58	E1049X-58	A201100-25	A201100X-25	
Gray	E1049-59	E1049X-59	A201100-26	A201100X-26	



E1049-58



Roughneck E1049 – Male & female plugs

Cable size: 646 MCM • 1000V AC/DC, up to 1009A continuous • NEMA 3

Hex crimp or solder connection

Features

- Contacts machined from solid copper and specially plated for corrosion resistance and superior conductivity
- Color-coded rubber insulator provides quick visual identification of circuit and phase connections
- Watertight insulators provide maximum protection
- Male and female contacts are assembled to cable with standard crimp tools
- Drive pins on contacts securely lock it to the insulator
- Male contacts are equipped with safe front insulated tip

Materials

- Insulator - rubber
- Receptacle shell - epoxy powder coated aluminum alloy
- Hardware - stainless steel
- Contact - copper

Standard E1049

Ampacity rating at 40°C ambient

Cable size	90°C†	125°C†
646 MCM	814 Amps	1009 Amps

†Conductor temperature shall not exceed these ratings. Products are to only be used with copper Type P or TC-er cable; cable range of 313-777 MCM.

Hazardous E1049X

Ampacity rating at 55°C ambient

Cable size	125°C†
646 MCM	920 Amps

†Conductor temperature shall not exceed these ratings. Hazardous version to be used with Type P only 313-777 MCM.

Certifications & compliances:

Standard model

- cURus: E73864
- NEMA 3
- CE

Certifications & compliances:

Hazardous rated model

- Class I, Zone 2, AEx ec IIC Gc
- Ex ec IIC Gc
- Class I, Division 2, Groups A, B, C, D
- ⓈII 3 G Ex ec IIC Gc
- In-line connector:
Ta = -25°C to +55°C
Panel mount:
Ta = -40°C to +55°C
- IP54
- IECEx UL 19.0012U
- DEMKO 19 ATEX 2182U

Standards

- IEC 60079-0, 7th Edition
- IEC 60079-7, 5th Edition
- CENELEC EN 60079-0:2018
- CENELEC EN 60079-7:2015
- UL 60079-0; UL60079-7;
UL 121201
- CSA C22.2 No. 60079-0;
CSA C22.2 No. 60079-7

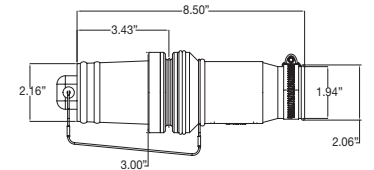
Male plugs

Part #s – Standard & hazardous models

Connection type & wire size	Color	Complete male connector		Insulator		Contact assembly
		Standard	Hazardous	Standard	Hazardous	
Hexagon crimp or solder 646 MCM	Black	E1049-11	E1049X-11	A201106-1	A201106X-1	Standard A201107-2 Hazardous A201107X-2
	Yellow	E1049-12	E1049X-12	A201106-2	A201106X-2	
	Red	E1049-13	E1049X-13	A201106-3	A201106X-3	
	Orange	E1049-14	E1049X-14	A201106-4	A201106X-4	
	Green	E1049-15	E1049X-15	A201106-5	A201106X-5	
	White	E1049-16	E1049X-16	A201106-6	A201106X-6	
	Blue	E1049-17	E1049X-17	A201106-7	A201106X-7	
	Brown	E1049-18	E1049X-18	A201106-8	A201106X-8	
	Purple	E1049-19	E1049X-19	A201106-20	A201106X-20	
	Gray	E1049-20	E1049X-20	A201106-21	A201106X-21	



E1049-14



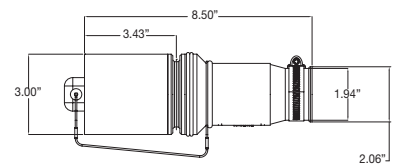
Female plugs

Part #s – Standard & hazardous models

Connection type & wire size	Color	Complete female connector		Insulator		Contact assembly
		Standard	Hazardous	Standard	Hazardous	
Hexagon crimp or solder 646 MCM	Black	E1049-60	E1049X-60	A201100-1	A201100X-1	Standard A201103-2 Hazardous A201103X-2
	Yellow	E1049-61	E1049X-61	A201100-2	A201100X-2	
	Red	E1049-62	E1049X-62	A201100-3	A201100X-3	
	Orange	E1049-63	E1049X-63	A201100-4	A201100X-4	
	Green	E1049-64	E1049X-64	A201100-5	A201100X-5	
	White	E1049-65	E1049X-65	A201100-6	A201100X-6	
	Blue	E1049-66	E1049X-66	A201100-7	A201100X-7	
	Brown	E1049-67	E1049X-67	A201100-8	A201100X-8	
	Purple	E1049-68	E1049X-68	A201100-25	A201100X-25	
	Gray	E1049-69	E1049X-69	A201100-26	A201100X-26	



E1049-64



Roughneck E1049 – Male & female plugs

Cable size: 777 MCM • 1000V AC/DC, up to 1135A continuous • NEMA 3

Hex crimp or solder connection

Features

- Contacts machined from solid copper and specially plated for corrosion resistance and superior conductivity
- Color-coded rubber insulator provides quick visual identification of circuit and phase connections
- Watertight insulators provide maximum protection
- Male and female contacts are assembled to cable with standard crimp tools
- Drive pins on contacts securely lock it to the insulator
- Male contacts are equipped with safe front insulated tip

Materials

- Insulator - rubber
- Receptacle shell - epoxy powder coated aluminum alloy
- Hardware - stainless steel
- Contact - copper

Standard E1049

Ampacity rating at 40°C ambient

Cable Size	90°C†	125°C†
777 MCM	916 Amps	1135 Amps

†Conductor temperature shall not exceed these ratings. Products are to only be used with copper Type P or TC-er cable; cable range of 313-777 MCM.

Hazardous E1049X

Ampacity rating at 55°C ambient

Cable Size	125°C†
777 MCM	1030 Amps

†Conductor temperature shall not exceed these ratings. Hazardous version to be used with Type P only 313-777 MCM.

Certifications & compliances:

Standard model

- cURus: E73864
- NEMA 3
- CE

Certifications & compliances:

Hazardous rated model

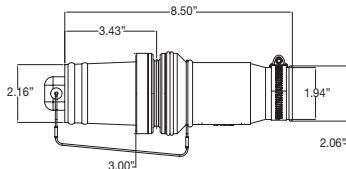
- Class I, Zone 2, AEx ec IIC Gc
- Ex ec IIC Gc
- Class I, Division 2, Groups A, B, C, D
- ⓈII 3 G Ex ec IIC Gc
- In-line connector:
Ta = -25°C to +55°C
- Panel mount:
Ta = -40°C to +55°C
- IP54
- IECEx UL 19.0012U
- DEMKO 19 ATEX 2182U

Standards

- IEC 60079-0, 7th Edition
- IEC 60079-7, 5th Edition
- CENELEC EN 60079-0:2018
- CENELEC EN 60079-7:2015
- UL 60079-0; UL60079-7;
UL 121201
- CSA C22.2 No. 60079-0;
CSA C22.2 No. 60079-7



E1049-29



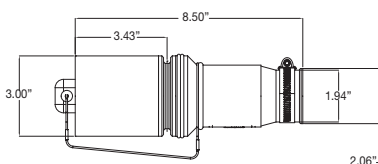
Male plugs

Part #s – Standard & hazardous models

Connection type & wire size	Color	Complete male connector		Insulator		Contact assembly
		Standard	Hazardous	Standard	Hazardous	
Hexagon crimp or solder 777 MCM	Black	E1049-21	E1049X-21	A201106-1	A201106X-1	Standard A201107-3 Hazardous A201107X-3
	Yellow	E1049-22	E1049X-22	A201106-2	A201106X-2	
	Red	E1049-23	E1049X-23	A201106-3	A201106X-3	
	Orange	E1049-24	E1049X-24	A201106-4	A201106X-4	
	Green	E1049-25	E1049X-25	A201106-5	A201106X-5	
	White	E1049-26	E1049X-26	A201106-6	A201106X-6	
	Blue	E1049-27	E1049X-27	A201106-7	A201106X-7	
	Brown	E1049-28	E1049X-28	A201106-8	A201106X-8	
	Purple	E1049-29	E1049X-29	A201106-20	A201106X-20	
	Gray	E1049-30	E1049X-30	A201106-21	A201106X-21	



E1049-76



Female plugs

Part #s – Standard & hazardous models

Connection type & wire size	Color	Complete female connector		Insulator		Contact assembly
		Standard	Hazardous	Standard	Hazardous	
Hexagon crimp or solder 777 MCM	Black	E1049-70	E1049X-70	A201100-1	A201100X-1	Standard A201103-3 Hazardous A201103X-3
	Yellow	E1049-71	E1049X-71	A201100-2	A201100X-2	
	Red	E1049-72	E1049X-72	A201100-3	A201100X-3	
	Orange	E1049-73	E1049X-73	A201100-4	A201100X-4	
	Green	E1049-74	E1049X-74	A201100-5	A201100X-5	
	White	E1049-75	E1049X-75	A201100-6	A201100X-6	
	Blue	E1049-76	E1049X-76	A201100-7	A201100X-7	
	Brown	E1049-77	E1049X-77	A201100-8	A201100X-8	
	Purple	E1049-78	E1049X-78	A201100-25	A201100X-25	
	Gray	E1049-79	E1049X-79	A201100-26	A201100X-26	

Roughneck E1049 – Receptacles

Cable size: 313-777 MCM • 1000V AC/DC, up to 1135A continuous • NEMA 3

Single and double hole bus bar with rotating latch

Features

- Colored-coded receptacle housings are designed to provide easy circuit identification
- Epoxy powder shell coating provides superior corrosion resistance
- Receptacle housing allows bus bar positioning at vertical, horizontal and 45° to ease cable routing
- Receptacle assembly provides 360° mounting capabilities
- Ten standard colors available
- Locking device is lockout compatible
- Dust cover is secured to the receptacle housing
- Stainless steel hardware
- Recessed contacts protected by insulating jacket that extends beyond contact ends for safety

Materials

- Insulator - rubber
- Receptacle shell - epoxy powder coated aluminum alloy
- Hardware - stainless steel
- Contact - copper

Standard E1049 Ampacity rating at 40°C ambient

Cable size	90°C†	125°C†
4/0*	405Amps	510 Amps
262 MCM*	455 Amps	567 Amps
313 MCM	513 Amps	636 Amps
444 MCM	642 Amps	796 Amps
535 MCM	724 Amps	898 Amps
646 MCM	814 Amps	1009 Amps
777 MCM	916 Amps	1135 Amps

†Conductor temperature shall not exceed these ratings.
*See page 17 for ordering information.

Certifications & compliances: Standard model

- cURus: E73864
- NEMA 3
- CE

Hazardous rated E1049X Ampacity rating at 55°C ambient

Cable size	125°C†
313 MCM	636 Amps
444 MCM	750 Amps
535 MCM	815 Amps
646 MCM	920 Amps
777 MCM	1030 Amps

†Conductor temperature shall not exceed these ratings. Hazardous version to be used with Type P only 313-777 MCM.

Certifications & compliances: Hazardous rated model

- Class I, Zone 2, AEx ec IIC Gc
- Ex ec IIC Gc
- Class I, Division 2, Groups A, B, C, D
- ⓈII 3 G Ex ec IIC Gc
- In-line connector:
Ta = -25°C to +55°C
- Panel mount:
Ta = -40°C to +55°C

- IP54
- IECEx UL 19.0012U
- DEMKO 19 ATEX 2182U

Standards

- IEC 60079-0, 7th Edition
- IEC 60079-7, 5th Edition
- CENELEC EN 60079-0:2018
- CENELEC EN 60079-7:2015
- UL 60079-0; UL60079-7;
UL 121201
- CSA C22.2 No. 60079-0;
CSA C22.2 No. 60079-7

Male – Double hole bus bar

Part #s – Standard & hazardous models

Color	Complete assembly		Housing assembly		Contact assembly	
	Standard	Hazardous	Standard	Hazardous	Standard	Hazardous
Black	E1049-1808X-BK	E1049X-1808X-BK	3326695-1	3326695X-1	A201099-9	A201099X-9
Yellow	E1049-1809X-Y	E1049X-1809X-Y	3326695-2	3326695X-2	A201099-10	A201099X-10
Red	E1049-1810X-R	E1049X-1810X-R	3326695-3	3326695X-3	A201099-11	A201099X-11
Orange	E1049-1811X-OR	E1049X-1811X-OR	3326695-4	3326695X-4	A201099-12	A201099X-12
Green	E1049-1812X-G	E1049X-1812X-G	3326695-5	3326695X-5	A201099-13	A201099X-13
White	E1049-1813X-W	E1049X-1813X-W	3326695-6	3326695X-6	A201099-14	A201099X-14
Blue	E1049-1814X-BL	E1049X-1814X-BL	3326695-7	3326695X-7	A201099-15	A201099X-15
Brown	E1049-1815X-BR	E1049X-1815X-BR	3326695-8	3326695X-8	A201099-16	A201099X-16
Purple	E1049-1818X-PR	E1049X-1818X-PR	3326695-9	3326695X-9	A201099-19	A201099X-19
Gray	E1049-1819X-GY	E1049X-1819X-GY	3326695-10	3326695X-10	A201099-20	A201099X-20

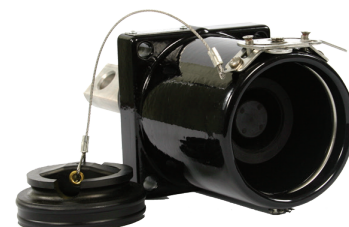


E1049-1808X-BK

Male – Single hole bus bar

Part #s – Standard & hazardous models

Color	Complete assembly		Housing assembly		Contact Assembly	
	Standard	Hazardous	Standard	Hazardous	Standard	Hazardous
Black	E1049-1800X-BK	E1049X-1800X-BK	3326695-1	3326695X-1	A201099-1	A201099X-1
Yellow	E1049-1801X-Y	E1049X-1801X-Y	3326695-2	3326695X-2	A201099-2	A201099X-2
Red	E1049-1802X-R	E1049X-1802X-R	3326695-3	3326695X-3	A201099-3	A201099X-3
Orange	E1049-1803X-OR	E1049X-1803X-OR	3326695-4	3326695X-4	A201099-4	A201099X-4
Green	E1049-1804X-G	E1049X-1804X-G	3326695-5	3326695X-5	A201099-5	A201099X-5
White	E1049-1805X-W	E1049X-1805X-W	3326695-6	3326695X-6	A201099-6	A201099X-6
Blue	E1049-1806X-BL	E1049X-1806X-BL	3326695-7	3326695X-7	A201099-7	A201099X-7
Brown	E1049-1807X-BR	E1049X-1807X-BR	3326695-8	3326695X-8	A201099-8	A201099X-8
Purple	E1049-1816X-PR	E1049X-1816X-PR	3326695-9	3326695X-9	A201099-17	A201099X-17
Gray	E1049-1817X-GY	E1049X-1817X-GY	3326695-10	3326695X-10	A201099-18	A201099X-18



E1049-1800X-BK

Roughneck E1049 – Receptacles

Cable size: 313-777 MCM • 1000V AC/DC, up to 1135A continuous • NEMA 3

Single and double hole bus bar with rotating latch

Features

- Colored-coded receptacle housings are designed to provide easy circuit identification
- Epoxy powder shell coating provides superior corrosion resistance
- Receptacle housing allows bus bar positioning at vertical, horizontal and 45° to ease cable routing
- Receptacle assembly provides 360° mounting capabilities
- Ten standard colors available
- Locking device is lockout compatible
- Dust cover is secured to the receptacle housing
- Stainless steel hardware
- Recessed contacts protected by insulating jacket that extends beyond contact ends for safety

Materials

- Insulator - rubber
- Receptacle shell - epoxy powder coated aluminum alloy
- Hardware - stainless steel
- Contact - copper

Standard E1049

Ampacity rating at 40°C ambient

Cable size	90°C†	125°C†
4/0*	405Amps	510 Amps
262 MCM*	455 Amps	567 Amps
313 MCM	513 Amps	636 Amps
444 MCM	642 Amps	796 Amps
535 MCM	724 Amps	898 Amps
646 MCM	814 Amps	1009 Amps
777 MCM	916 Amps	1135 Amps

†Conductor temperature shall not exceed these ratings.
*See page 17 for ordering information.

Certifications & compliances:

Standard model

- cURus: E73864
- NEMA 3
- CE

Hazardous rated E1049X

Ampacity rating at 55°C ambient

Cable size	125°C†
313 MCM	636 Amps
444 MCM	750 Amps
535 MCM	815 Amps
646 MCM	920 Amps
777 MCM	1030 Amps

†Conductor temperature shall not exceed these ratings. Hazardous version to be used with Type P only 313-777 MCM.

Certifications & compliances:

Hazardous rated model

- Class I, Zone 2, AEx ec IIC Gc
- Ex ec IIC Gc
- Class I, Division 2, Groups A, B, C, D
- ⓈII 3 G Ex ec IIC Gc
- In-line connector:
Ta = -25°C to +55°C
Panel mount:
Ta = -40°C to +55°C
- IP54
- IECEx UL 19.0012U
- DEMKO 19 ATEX 2182U

Standards

- IEC 60079-0, 7th Edition
- IEC 60079-7, 5th Edition
- CENELEC EN 60079-0:2018
- CENELEC EN 60079-7:2015
- UL 60079-0; UL60079-7;
UL 121201
- CSA C22.2 No. 60079-0;
CSA C22.2 No. 60079-7

Female – Double hole bus bar

Part #s – Standard & hazardous models

Color	Complete assembly		Housing assembly		Contact assembly	
	Standard	Hazardous	Standard	Hazardous	Standard	Hazardous
Black	E1049-1833X-BK	E1049X-1833X-BK	3326695-1	3326695X-1	A201108-9	A201108X-9
Yellow	E1049-1834X-Y	E1049X-1834X-Y	3326695-2	3326695X-2	A201108-10	A201108X-10
Red	E1049-1835X-R	E1049X-1835X-R	3326695-3	3326695X-3	A201108-11	A201108X-11
Orange	E1049-1836X-OR	E1049X-1836X-OR	3326695-4	3326695X-4	A201108-12	A201108X-12
Green	E1049-1837X-G	E1049X-1837X-G	3326695-5	3326695X-5	A201108-13	A201108X-13
White	E1049-1838X-W	E1049X-1838X-W	3326695-6	3326695X-6	A201108-14	A201108X-14
Blue	E1049-1839X-BL	E1049X-1839X-BL	3326695-7	3326695X-7	A201108-15	A201108X-15
Brown	E1049-1840X-BR	E1049X-1840X-BR	3326695-8	3326695X-8	A201108-16	A201108X-16
Purple	E1049-1822X-PR	E1049X-1822X-PR	3326695-9	3326695X-9	A201108-19	A201108X-19
Gray	E1049-1823X-GY	E1049X-1823X-GY	3326695-10	3326695X-10	A201108-20	A201108X-20

Receptacle assembly part numbers include the insulator, receptacle housing, gasket and dust cover.
Dust cover receptacle male or female part number A201113-5.



E1049-1835X-R

Female – Single hole bus bar

Part #s – Standard & hazardous models

Color	Complete assembly		Housing assembly		Contact assembly	
	Standard	Hazardous	Standard	Hazardous	Standard	Hazardous
Black	E1049-1825X-BK	E1049X-1825X-BK	3326695-1	3326695X-1	A201108-1	A201108X-1
Yellow	E1049-1826X-Y	E1049X-1826X-Y	3326695-2	3326695X-2	A201108-2	A201108X-2
Red	E1049-1827X-R	E1049X-1827X-R	3326695-3	3326695X-3	A201108-3	A201108X-3
Orange	E1049-1828X-OR	E1049X-1828X-OR	3326695-4	3326695X-4	A201108-4	A201108X-4
Green	E1049-1829X-G	E1049X-1829X-G	3326695-5	3326695X-5	A201108-5	A201108X-5
White	E1049-1830X-W	E1049X-1830X-W	3326695-6	3326695X-6	A201108-6	A201108X-6
Blue	E1049-1831X-BL	E1049X-1831X-BL	3326695-7	3326695X-7	A201108-7	A201108X-7
Brown	E1049-1832X-BR	E1049X-1832X-BR	3326695-8	3326695X-8	A201108-8	A201108X-8
Purple	E1049-1820X-PR	E1049X-1820X-PR	3326695-9	3326695X-9	A201108-17	A201108X-17
Gray	E1049-1821X-GY	E1049X-1821X-GY	3326695-10	3326695X-10	A201108-18	A201108X-18

Receptacle assembly part numbers include the insulator, receptacle housing, gasket and dust cover.
Dust cover receptacle male or female part number A201113-5.

Roughneck E1049 – Receptacles

Cable size: 313-777 MCM • 1000V AC/DC, up to 1135A continuous • NEMA 3

Single and double hole bus bar with short throw latch

Features

- Colored-coded receptacle housings are designed to provide easy circuit identification
- Epoxy powder shell coating provides superior corrosion resistance
- Receptacle housing allows bus bar positioning at vertical, horizontal and 45° to ease cable routing
- Receptacle assembly provides 360° mounting capabilities
- Ten standard colors available
- Locking device is lockout compatible
- Dust cover is secured to the receptacle housing
- Stainless steel hardware
- Recessed contacts protected by insulating jacket that extends beyond contact ends for safety

Materials

- Insulator - rubber
- Receptacle shell - epoxy powder coated aluminum alloy
- Hardware - stainless steel
- Contact - copper

Standard E1049 Ampacity rating at 40°C ambient

Cable size	90°C†	125°C†
4/0*	405 Amps	510 Amps
262 MCM*	455 Amps	567 Amps
313 MCM	513 Amps	636 Amps
444 MCM	642 Amps	796 Amps
535 MCM	724 Amps	898 Amps
646 MCM	814 Amps	1009 Amps
777 MCM	916 Amps	1135 Amps

†Conductor temperature shall not exceed these ratings.
*See page 17 for ordering information.

Certifications & compliances: Standard model

- cURus: E73864
- NEMA 3
- CE

Hazardous rated E1049X Ampacity rating at 55°C ambient

Cable size	125°C†
313 MCM	636 Amps
444 MCM	750 Amps
535 MCM	815 Amps
646 MCM	920 Amps
777 MCM	1030 Amps

†Conductor temperature shall not exceed these ratings. Hazardous version to be used with Type P only 313-777 MCM.

Certifications & compliances: Hazardous rated model

- Class I, Zone 2, AEx ec IIC Gc
- Ex ec IIC Gc
- Class I, Division 2, Groups A, B, C, D
- ⓈII 3 G Ex ec IIC Gc
- In-line connector:
Ta = -25°C to +55°C
Panel mount:
Ta = -40°C to +55°C

- IP54
- IECEx UL 19.0012U
- DEMKO 19 ATEX 2182U

Standards

- IEC 60079-0, 7th Edition
- IEC 60079-7, 5th Edition
- CENELEC EN 60079-0:2018
- CENELEC EN 60079-7:2015
- UL 60079-0; UL60079-7; UL 121201
- CSA C22.2 No. 60079-0; CSA C22.2 No. 60079-7

Male – Double hole bus bar

Part #s – Standard & hazardous models

Color	Complete assembly		Housing assembly		Contact assembly	
	Standard	Hazardous	Standard	Hazardous	Standard	Hazardous
Black	E1049-1808ST-BK	E1049X-1808ST-BK	3326695-1ST	3326695X-1ST	A201099-9	A201099X-9
Yellow	E1049-1809ST-Y	E1049X-1809ST-Y	3326695-2ST	3326695X-2ST	A201099-10	A201099X-10
Red	E1049-1810ST-R	E1049X-1810ST-R	3326695-3ST	3326695X-3ST	A201099-11	A201099X-11
Orange	E1049-1811ST-OR	E1049X-1811ST-OR	3326695-4ST	3326695X-4ST	A201099-12	A201099X-12
Green	E1049-1812ST-G	E1049X-1812ST-G	3326695-5ST	3326695X-5ST	A201099-13	A201099X-13
White	E1049-1813ST-W	E1049X-1813ST-W	3326695-6ST	3326695X-6ST	A201099-14	A201099X-14
Blue	E1049-1814ST-BL	E1049X-1814ST-BL	3326695-7ST	3326695X-7ST	A201099-15	A201099X-15
Brown	E1049-1815ST-BR	E1049X-1815ST-BR	3326695-8ST	3326695X-8ST	A201099-16	A201099X-16
Purple	E1049-1818ST-PR	E1049X-1818ST-PR	3326695-9ST	3326695X-9ST	A201099-19	A201099X-19
Gray	E1049-1819ST-GY	E1049X-1819ST-GY	3326695-10ST	3326695X-10ST	A201099-20	A201099X-20

Receptacle assembly part numbers include the insulator, receptacle housing, gasket and dust cover.
Dust cover receptacle male or female part number A201113-5.



E1049-1814ST-BL

Male – Single hole bus bar

Part #s – Standard & hazardous models

Color	Complete assembly		Housing assembly		Contact assembly	
	Standard	Hazardous	Standard	Hazardous	Standard	Hazardous
Black	E1049-1800ST-BK	E1049X-1800ST-BK	3326695-1ST	3326695X-1ST	A201099-1	A201099X-1
Yellow	E1049-1801ST-Y	E1049X-1801ST-Y	3326695-2ST	3326695X-2ST	A201099-2	A201099X-2
Red	E1049-1802ST-R	E1049X-1802ST-R	3326695-3ST	3326695X-3ST	A201099-3	A201099X-3
Orange	E1049-1803ST-OR	E1049X-1803ST-OR	3326695-4ST	3326695X-4ST	A201099-4	A201099X-4
Green	E1049-1804ST-G	E1049X-1804ST-G	3326695-5ST	3326695X-5ST	A201099-5	A201099X-5
White	E1049-1805ST-W	E1049X-1805ST-W	3326695-6ST	3326695X-6ST	A201099-6	A201099X-6
Blue	E1049-1806ST-BL	E1049X-1806ST-BL	3326695-7ST	3326695X-7ST	A201099-7	A201099X-7
Brown	E1049-1807ST-BR	E1049X-1807ST-BR	3326695-8ST	3326695X-8ST	A201099-8	A201099X-8
Purple	E1049-1816ST-PR	E1049X-1816ST-PR	3326695-9ST	3326695X-9ST	A201099-17	A201099X-17
Gray	E1049-1817ST-GY	E1049X-1817ST-GY	3326695-10ST	3326695X-10ST	A201099-18	A201099X-18

Receptacle assembly part numbers include the insulator, receptacle housing, gasket and dust cover.
Dust cover receptacle male or female part number A201113-5.

Roughneck E1049 – Receptacles

Cable size: 313-777 MCM • 1000V AC/DC, up to 1135A continuous • NEMA 3

Single and double hole bus bar with short throw latch

Features

- Colored-coded receptacle housings are designed to provide easy circuit identification
- Epoxy powder shell coating provides superior corrosion resistance
- Receptacle housing allows bus bar positioning at vertical, horizontal and 45° to ease cable routing
- Receptacle assembly provides 360° mounting capabilities
- Ten standard colors available
- Locking device is lockout compatible
- Dust cover is secured to the receptacle housing
- Stainless steel hardware
- Recessed contacts protected by insulating jacket that extends beyond contact ends for safety

Materials

- Insulator - rubber
- Receptacle shell - epoxy powder coated aluminum alloy
- Hardware - stainless steel
- Contact - copper

Standard E1049

Ampacity rating at 40°C ambient

Cable size	90°C†	125°C†
4/0*	405Amps	510 Amps
262 MCM*	455 Amps	567 Amps
313 MCM	513 Amps	636 Amps
444 MCM	642 Amps	796 Amps
535 MCM	724 Amps	898 Amps
646 MCM	814 Amps	1009 Amps
777 MCM	916 Amps	1135 Amps

†Conductor temperature shall not exceed these ratings.
*See page 17 for ordering information.

Certifications & compliances:

Standard model

- cURus: E73864
- NEMA 3
- CE

Hazardous rated E1049X

Ampacity rating at 55°C ambient

Cable size	125°C†
313 MCM	636 Amps
444 MCM	750 Amps
535 MCM	815 Amps
646 MCM	920 Amps
777 MCM	1030 Amps

†Conductor temperature shall not exceed these ratings. Hazardous version to be used with Type P only 313-777 MCM.

Certifications & compliances: Hazardous rated model

- Class I, Zone 2, AEx ec IIC Gc
- Ex ec IIC Gc
- Class I, Division 2, Groups A, B, C, D
- ⓈII 3 G Ex ec IIC Gc
- In-line connector:
Ta = -25°C to +55°C
Panel mount:
Ta = -40°C to +55°C
- IP54
- IECEx UL 19.0012U
- DEMKO 19 ATEX 2182U

Standards

- IEC 60079-0, 7th Edition
- IEC 60079-7, 5th Edition
- CENELEC EN 60079-0:2018
- CENELEC EN 60079-7:2015
- UL 60079-0; UL60079-7;
UL 121201
- CSA C22.2 No. 60079-0;
CSA C22.2 No. 60079-7

Female – Double hole bus bar

Part #s – Standard & hazardous models

Color	Complete assembly		Housing assembly		Contact assembly	
	Standard	Hazardous	Standard	Hazardous	Standard	Hazardous
Black	E1049-1833ST-BK	E1049X-1833ST-BK	3326695-1ST	3326695X-1ST	A201108-9	A201108X-9
Yellow	E1049-1834ST-Y	E1049X-1834ST-Y	3326695-2ST	3326695X-2ST	A201108-10	A201108X-10
Red	E1049-1835ST-R	E1049X-1835ST-R	3326695-3ST	3326695X-3ST	A201108-11	A201108X-11
Orange	E1049-1836ST-OR	E1049X-1836ST-OR	3326695-4ST	3326695X-4ST	A201108-12	A201108X-12
Green	E1049-1837ST-G	E1049X-1837ST-G	3326695-5ST	3326695X-5ST	A201108-13	A201108X-13
White	E1049-1838ST-W	E1049X-1838ST-W	3326695-6ST	3326695X-6ST	A201108-14	A201108X-14
Blue	E1049-1839ST-BL	E1049X-1839ST-BL	3326695-7ST	3326695X-7ST	A201108-15	A201108X-15
Brown	E1049-1840ST-BR	E1049X-1840ST-BR	3326695-8ST	3326695X-8ST	A201108-16	A201108X-16
Purple	E1049-1822ST-PR	E1049X-1822ST-PR	3326695-9ST	3326695X-9ST	A201108-19	A201108X-19
Gray	E1049-1823ST-GY	E1049X-1823ST-GY	3326695-10ST	3326695X-10ST	A201108-20	A201108X-20

Receptacle assembly part numbers include the insulator, receptacle housing, gasket and dust cover.
Dust cover receptacle male or female part number A201113-5.



E1049-1833ST-BK

Female – Single hole bus bar

Part #s – Standard & hazardous models

Color	Complete assembly		Housing assembly		Standard assembly	
	Standard	Hazardous	Standard	Hazardous	Standard	Hazardous
Black	E1049-1825ST-BK	E1049X-1825ST-BK	3326695-1ST	3326695X-1ST	A201108-1	A201108X-1
Yellow	E1049-1826ST-Y	E1049X-1826ST-Y	3326695-2ST	3326695X-2ST	A201108-2	A201108X-2
Red	E1049-1827ST-R	E1049X-1827ST-R	3326695-3ST	3326695X-3ST	A201108-3	A201108X-3
Orange	E1049-1828ST-OR	E1049X-1828ST-OR	3326695-4ST	3326695X-4ST	A201108-4	A201108X-4
Green	E1049-1829ST-G	E1049X-1829ST-G	3326695-5ST	3326695X-5ST	A201108-5	A201108X-5
White	E1049-1830ST-W	E1049X-1830ST-W	3326695-6ST	3326695X-6ST	A201108-6	A201108X-6
Blue	E1049-1831ST-BL	E1049X-1831ST-BL	3326695-7ST	3326695X-7ST	A201108-7	A201108X-7
Brown	E1049-1832ST-BR	E1049X-1832ST-BR	3326695-8ST	3326695X-8ST	A201108-8	A201108X-8
Purple	E1049-1820ST-PR	E1049X-1820ST-PR	3326695-9ST	3326695X-9ST	A201108-17	A201108X-17
Gray	E1049-1821ST-GY	E1049X-1821ST-GY	3326695-10ST	3326695X-10ST	A201108-18	A201108X-18

Receptacle assembly part numbers include the insulator, receptacle housing, gasket and dust cover.
Dust cover receptacle male or female part number A201113-1.

Roughneck accessories & dimensions

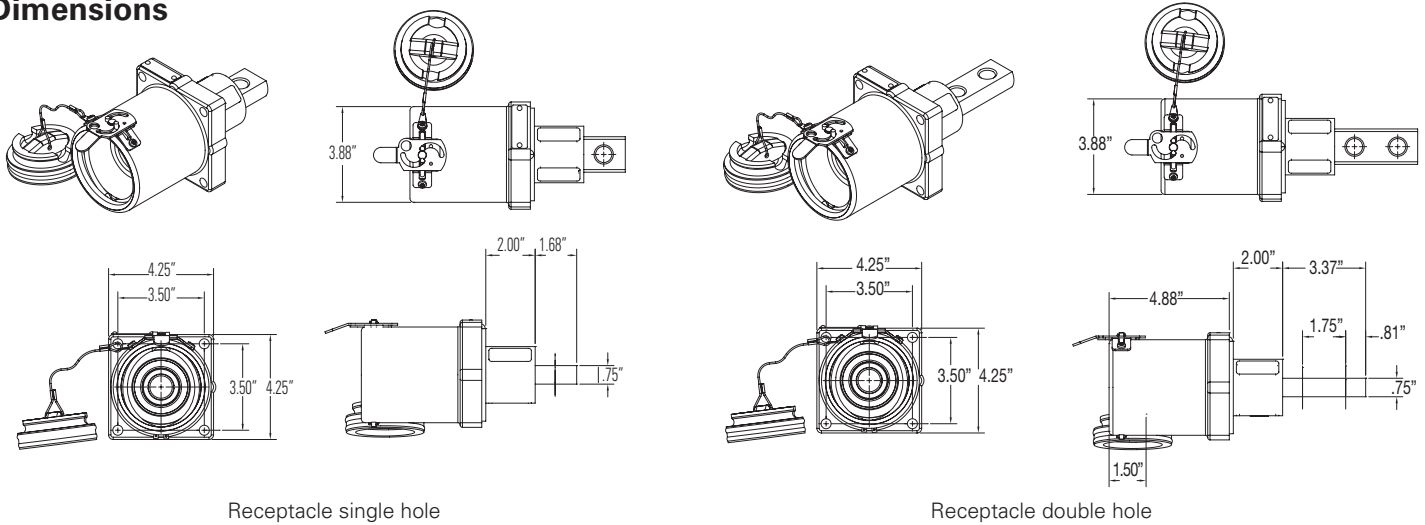
Roughneck accessories

Part No.	Description
201115	Gasket for receptacle housing (E1049 standard)
K1318428	Gasket for receptacle housing (E1049X hazardous)
319735-1	Neoprene vulcanizing tape
A201103-9	4/0 - 262 MCM female contact
A201107-9	4/0 - 262 MCM male contact
A201113-1	Receptacle dust cover - short throw
A201114-4	Dust cover for female plug, black
A201113-5	Receptacle dust cover - rotating latch
A201113-6	Dust cover for male plug, black
E1015GND	E1015 ground lug
K1318353	Ball check pin
K3326821-1	Inline coupler repair kit
K3318296	E1049 receptacle repair kit - rotating latch
K3326821-2	Receptacle repair kit - short throw

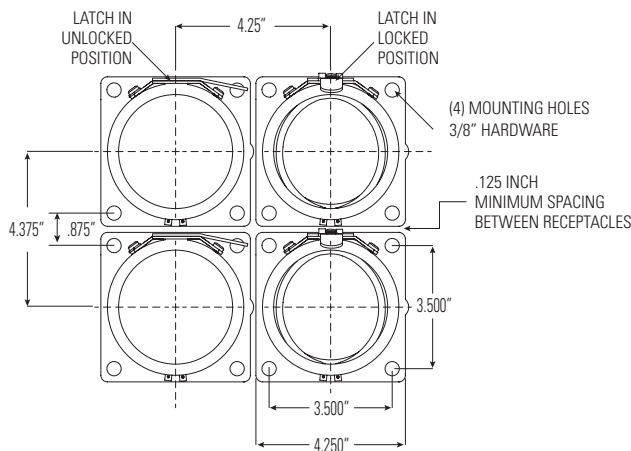
Couplers

Standard	Hazardous	Color	Description
A201096-1	A20109X-1	Anodized aluminum	Coupler for mating male to female plug
A201096-1-BK	A201096X-1-BK	Black	
A201096-1-Y	A201096X-1-Y	Yellow	
A201096-1-R	A201096X-1-R	Red	
A201096-1-OR	A201096X-1-OR	Orange	
A201096-1-G	A201096X-1-G	Green	
A201096-1-W	A201096X-1-W	White	
A201096-1-BL	A201096X-1-BL	Blue	
A201096-1-BR	A201096X-1-BR	Brown	
A201096-1-PR	A201096X-1-PR	Purple	
A201096-1-GY	A201096-X1-GY	Gray	

Dimensions



Receptacle housing mounting pattern (rotating latch) (.125" minimum spacing required between receptacles)



**U.S. (global headquarters):
Eaton's Crouse-Hinds Division**

1201 Wolf Street
Syracuse, NY 13208

(866) 764-5454
FAX: (315) 477-5179
FAX Orders Only:
(866) 653-0640

crousecustomerctr@eaton.com

**For more information:
If further assistance
is required, please
contact an authorized
Eaton Distributor, Sales
Office, or Customer
Service Department.**

Canada

Toll Free: 800-265-0502
FAX: (800) 263-9504
FAX Orders only: (866) 653-0645

Mexico/Latin America/Caribbean

52-555-804-4000
FAX: 52-555-804-4020
ventascentromex@eaton.com

Europe (Germany)

49 (0) 6271 806-500
49 (0) 6271 806-476
info-ex@eaton.com

Middle East

971 4 8066100
FAX: 971 4 8894813
CHBL-ME@eaton.com

Singapore

65-6645-9888
FAX: 65-6297-4819
chsi-sales@eaton.com

China

86-21-2899-3600
FAX: 86-21-2899-4055
echsales@eaton.com

Korea

82 2 6380 4032
82-2-6380-4070
ECHKsales@eaton.com

Australia

1300-332-866
FAX: 61-2-9693-5127
crousehindsanz@eaton.com

India

91-124-4683888
FAX: 91-124-4683899
cchindia@eaton.com

**For additional information,
visit [Eaton.com](https://www.eaton.com)**

Eaton
1000 Eaton Boulevard
Cleveland, OH 44122
United States
[Eaton.com](https://www.eaton.com)

© 2025 Eaton
All Rights Reserved
Printed in USA
Publication No. BR404004EN
November 2025

Eaton is a registered trademark.

All other trademarks are property
of their respective owners.

Follow us on social media to get the
latest product and support information.

