

REV	DATE	DESCRIPTION	ECO	BY	C'H.K.
A	08/11/2015	NEW DRAWING CREATED	41221	PB	DD

FEATURES:

ACCOMMODATES BOTH FLEX AND CODE CONDUCTORS

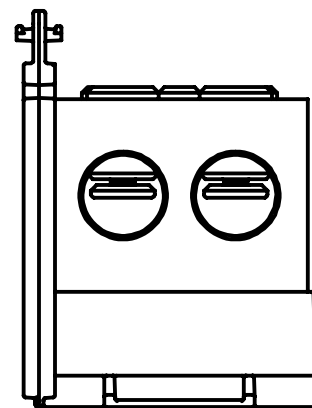
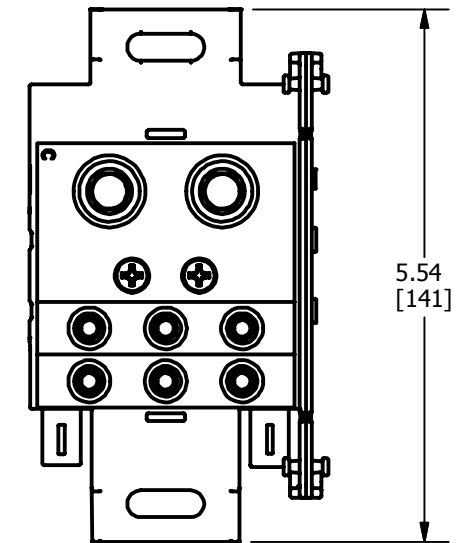
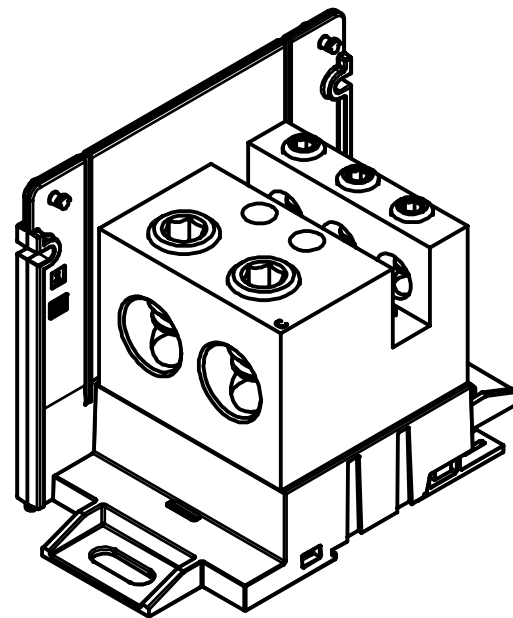
cULus LISTED TO UL1953 (FILE# E74460)

AL9CU RATED

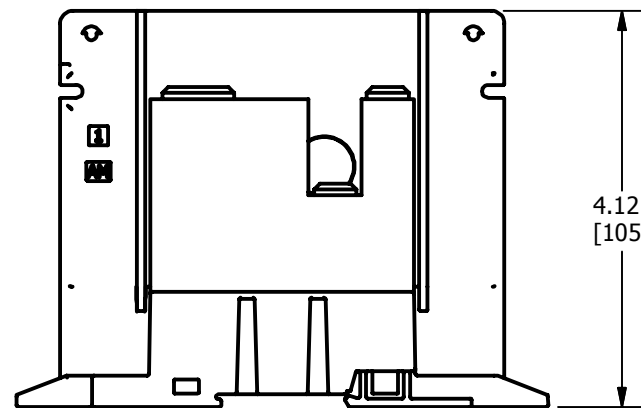
OPTIONAL TOP COVER FOR OPEN STYLE (PART BDBLCSCOVER) FOR ADDED PROTECTION

100kA SCCR RATING WITH CORRECT FUSING

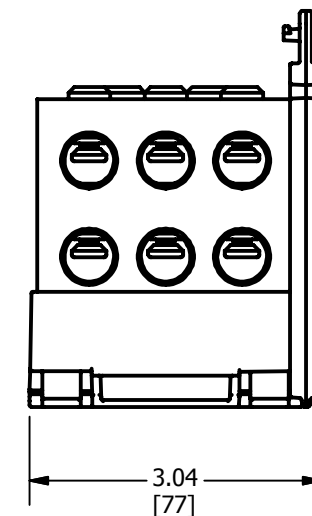
CONTACT CUSTOMER SERVICE FOR ALTERNATE CONFIGURATIONS AT TELEPHONE NUMBER 1 800 346-4175



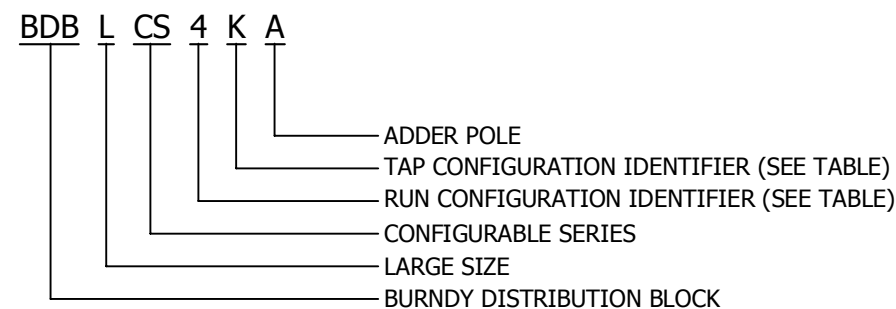
RUN SIDE



FINGER SAFE STYLE



TAP SIDE



NOTES:

- DIMENSIONS IN BRACKETS [] ARE IN MILLIMETERS ROUNDED OFF TO THE NEAREST MILLIMETER, UNLESS OTHERWISE SPECIFIED AND ARE FOR REFERENCE ONLY.
- MATERIALS: BASE AND POLE SEPERATING SIDES - NYLON 6/6
BLOCK AND RETENTION SCREWS - TIN PLATED ALUMINUM
FINGER SAFE COVERS - POLYCARBONATE
BLOCK MOUNTING HARDWARE - STAINLESS STEEL

TO ORDER BURNDY® PRODUCTS CALL		LARGE ADDER															
UNITED STATES 1-800-346-4175 (LONDONDERRY, NH)		ITEM NO: SEE TABLE															
CANADA: 1-800-361-6975 (QUEBEC) 1-800-387-6487 (ALL OTHER PROVINCES)		CAT. NO: SEE TABLE															
FOR PRODUCT INFO: http://www.burndy.com		<table border="1"> <tr> <td>DRAWN BY: PARTHIBAN B</td> <td>8/11/2015</td> <td rowspan="5"></td> </tr> <tr> <td>CHECKER: T REYNOLDS</td> <td>9/11/2015</td> </tr> <tr> <td>DSN APRVL: T REYNOLDS</td> <td>9/11/2015</td> </tr> <tr> <td>MFG APRVL: M STEVENS</td> <td>9/15/2015</td> </tr> <tr> <td>QA APRVL: C KOWALCZYK</td> <td>9/17/2015</td> </tr> <tr> <td>MKT APRVL: M BAILLY</td> <td>9/15/2015</td> <td></td> </tr> </table>		DRAWN BY: PARTHIBAN B	8/11/2015		CHECKER: T REYNOLDS	9/11/2015	DSN APRVL: T REYNOLDS	9/11/2015	MFG APRVL: M STEVENS	9/15/2015	QA APRVL: C KOWALCZYK	9/17/2015	MKT APRVL: M BAILLY	9/15/2015	
DRAWN BY: PARTHIBAN B	8/11/2015																
CHECKER: T REYNOLDS	9/11/2015																
DSN APRVL: T REYNOLDS	9/11/2015																
MFG APRVL: M STEVENS	9/15/2015																
QA APRVL: C KOWALCZYK	9/17/2015																
MKT APRVL: M BAILLY	9/15/2015																
PROJ #:	SIZE	DRAWING NO	REV														
50063029	B	50063029	A														
REL LEVEL: Released		SHEET 1 OF 3															


BURNDY LARGE DISTRIBUTION BLOCKS

BLOCKS	BLOCK								AMPACITY
	RUN				TAP				
	HOLE LAYOUT	RANGE	TORQUE in-lbs		HOLE LAYOUT	RANGE	TORQUE in-lbs		
BDBLCS4KA	OO (2)	#6 awg - 350 B, C, H, I, K, DLO, 373 DLO	#6-373	450	OOO OOO (6)	#14 awg - 2/0 B, C, H, I, K, DLO	#14-#6 #4-2/0	80 120	620
BDBLCS6RA	OO (2)	#4 awg - 500 B, C, H, I, K, DLO, 535 DLO	#4-4/0 250-535	400 600	OO OO	#6 awg - 4/0 B, C, H, I, K, DLO	#6-2/0 3/0-4/0	180 300	760
BDBLCS6VA	OO (2)	#4 awg - 500 B, C, H, I, K, DLO, 535 DLO	#4-4/0 250-535	400 600	OO (2)	#4 awg - 500 B, C, H, I, K, DLO, 535 DLO	#4-4/0 250-535	400 600	760
BDBLCS4TA	OO (2)	#6 awg - 350 B, C, H, I, K, DLO, 373 DLO	#6-373	450	OO (2)	#6 awg - 350 B, C, H, I, K, DLO, 373 DLO	#6-373	450	620
BDBLCS6AA	OO (2)	#4 awg - 500 B, C, H, I, K, DLO, 535 DLO	#4-4/0 250-535	400 600	OOOOOO OOOOOO (12)	#14 awg - #4 awg B, C, H, I, K, DLO	#12-#8 AL #14-#8 CU #6-#4	10 15 30	760
BDBLCS5KA	O (1)	#4 awg - 500 B, C, H, I, K, DLO, 535 DLO	#4-4/0 250-535	400 600	OOO OOO (6)	#14 awg - 2/0 B, C, H, I, K, DLO	#14-#4 #2-2/0	80 120	380
BDBLCS3KA	O (1)	#6 awg - 350 B, C, H, I, K, DLO, 373 DLO	#6-373	450	OOO OOO (6)	#14 awg - 2/0 B, C, H, I, K, DLO	#14-#6 #4-2/0	80 120	310
BDBLCS5W1	O (1)	#4 awg - 500 B, C, H, I, K, DLO, 535 DLO	#4-4/0 250-535	400 600	O (1)	#4 awg - 500 B, C, H, I, K, DLO, 535 DLO	#4-4/0 250-535	400 600	380
BDBLCS3AA	O (1)	#6 awg - 350 B, C, H, I, K, DLO, 373 DLO	#6-373	450	OOOOOO OOOOOO (12)	#14 awg - #4 awg B, C, H, I, K, DLO	#12-#8 AL #14-#8 CU #6-#4	10 15 30	310
BDBLCS6KA	OO (2)	#4 awg - 500 B, C, H, I, K, DLO, 535 DLO	#4-4/0 250-535	400 600	OOO OOO (6)	#14 awg - 2/0 B, C, H, I, K, DLO	#14-#6 #4-2/0	80 120	760

RUN HOLES		
DIGIT	HOLE LAYOUT	RANGE
1	O	#14 awg - 2/0
2	OO	#14 awg - 2/0
3	O	#6 awg - 350 kcmil
4	OO	#6 awg - 350 kcmil
5	O	#4 awg - 500 kcmil
6	OO	#4 awg - 500 kcmil

RUN HOLES		
LETTER	HOLE LAYOUT	RANGE
A	OOOOO O	#14 awg - #4 awg
B	OOO OOO	
C	OO OO	
D	OO	
E	O	
F	OOO OOO	#14 awg - #2 awg
G	OO OO	
H	OO	
J	O	#14 awg - 2/0
K	OOO OOO	
M	OO OO	
N	OO	#6 awg - 4/0
P	O	
R	OO OO	#6 awg - 350 kcmil
T	OO	
U	O	#4 awg - 500 kcmil
V	OO	
W	O	750 kcmil
X	O	

REV	DATE	DESCRIPTION	ECO	BY	C'H'K.
A	08/11/2015	NEW DRAWING CREATED	41221	PB	DD

TO ORDER BURNDY® PRODUCTS CALL UNITED STATES 1-800-346-4175 (LONDONDERRY, NH) CANADA: 1-800-361-6975 (QUEBEC) 1-800-387-6487 (ALL OTHER PROVINCES) FOR PRODUCT INFO: http://www.burndy.com	LARGE ADDER			
	ITEM NO: SEE TABLE			
	CAT. NO: SEE TABLE			
	DRAWN BY: PARTHIBAN B	8/11/2015		
	CHECKER: T REYNOLDS	9/11/2015		
	DSN APRVL: T REYNOLDS	9/11/2015		
	MFG APRVL: M STEVENS	9/15/2015		
	QA APRVL: C KOWALCZYK	9/17/2015		
	MKT APRVL: M BAILLY	9/15/2015		
	PROD FAM: --	DRAWING NO	REV	
PROJECT #: --	SIZE	50063029	A	
DOCUMENT TYPE: SALES	B	SHEET 2 OF 3		
REL LEVEL: Released				

SCCR FUSE VALUES							
OPEN STYLE	J	T	RK1	RK5	G	CC	L
BDBLCS3KA	200	200	100	30	60	30	200
BDBLCS5KA	200	200	100	30	60	30	200
BDBLCS4TA	200	200	100	30	60	30	200
BDBLCS6VA	400	400	200	100	60	30	400
BDBLCS4KA	200	200	100	30	60	30	200
BDBLCS6KA	200	200	100	30	60	30	200
BDBLCS3AA	400	400	200	100	60	30	400
BDBLCS6AA	200	200	100	30	60	30	200
BDBLCS5WA	400	400	200	100	60	30	400
BDBLCS6RA	200	200	100	30	60	30	200

REV	DATE	DESCRIPTION	ECO	BY	C'H'K.
A	08/11/2015	NEW DRAWING CREATED	41221	PB	DD

TO ORDER BURNDY® PRODUCTS CALL		LARGE ADDER													
UNITED STATES 1-800-346-4175 (LONDONDERRY, NH)		ITEM NO: SEE TABLE													
CANADA: 1-800-361-6975 (QUEBEC) 1-800-387-6487 (ALL OTHER PROVINCES)		CAT. NO: SEE TABLE													
FOR PRODUCT INFO: http://www.burndy.com		<table border="1"> <tr> <td>DRAWN BY: PARTHIBAN B</td> <td>8/11/2015</td> </tr> <tr> <td>CHECKER: T REYNOLDS</td> <td>9/11/2015</td> </tr> <tr> <td>DSN APRVL: T REYNOLDS</td> <td>9/11/2015</td> </tr> <tr> <td>MFG APRVL: M STEVENS</td> <td>9/15/2015</td> </tr> <tr> <td>QA APRVL: C KOWALCZYK</td> <td>9/17/2015</td> </tr> <tr> <td>MKT APRVL: M BAILLY</td> <td>9/15/2015</td> </tr> </table>		DRAWN BY: PARTHIBAN B	8/11/2015	CHECKER: T REYNOLDS	9/11/2015	DSN APRVL: T REYNOLDS	9/11/2015	MFG APRVL: M STEVENS	9/15/2015	QA APRVL: C KOWALCZYK	9/17/2015	MKT APRVL: M BAILLY	9/15/2015
DRAWN BY: PARTHIBAN B	8/11/2015														
CHECKER: T REYNOLDS	9/11/2015														
DSN APRVL: T REYNOLDS	9/11/2015														
MFG APRVL: M STEVENS	9/15/2015														
QA APRVL: C KOWALCZYK	9/17/2015														
MKT APRVL: M BAILLY	9/15/2015														
PROJ #: --		DRAWING NO													
DOCUMENT TYPE: SALES		50063029													
REL LEVEL: Released		SHEET 3 OF 3													
		REV													
		A													

