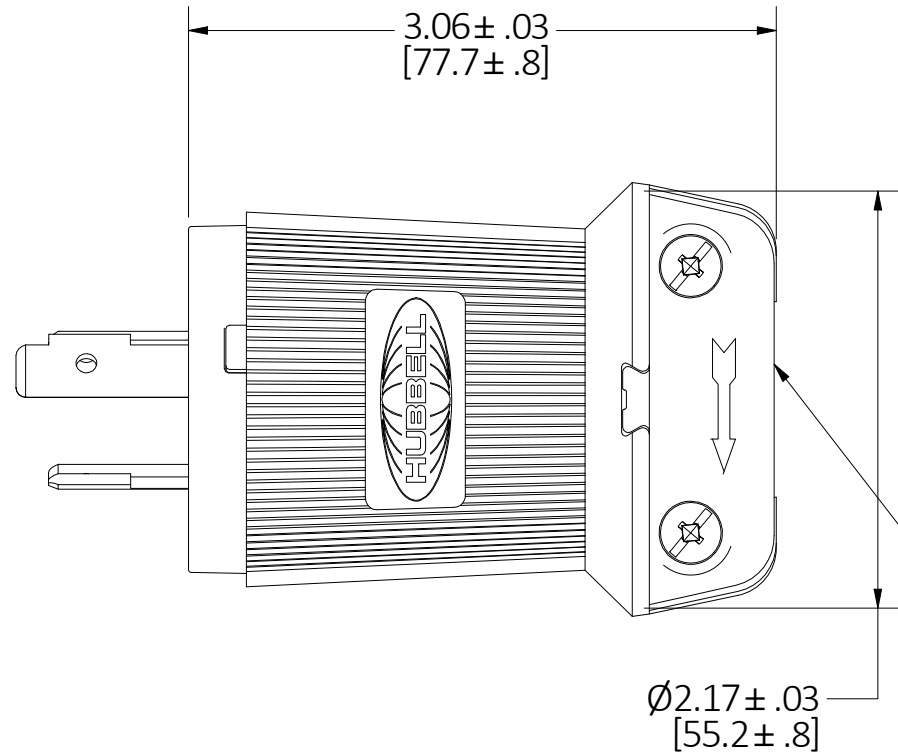
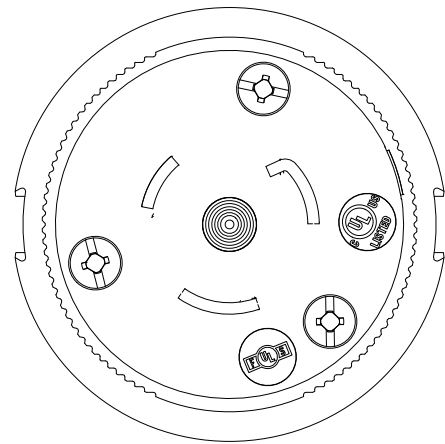
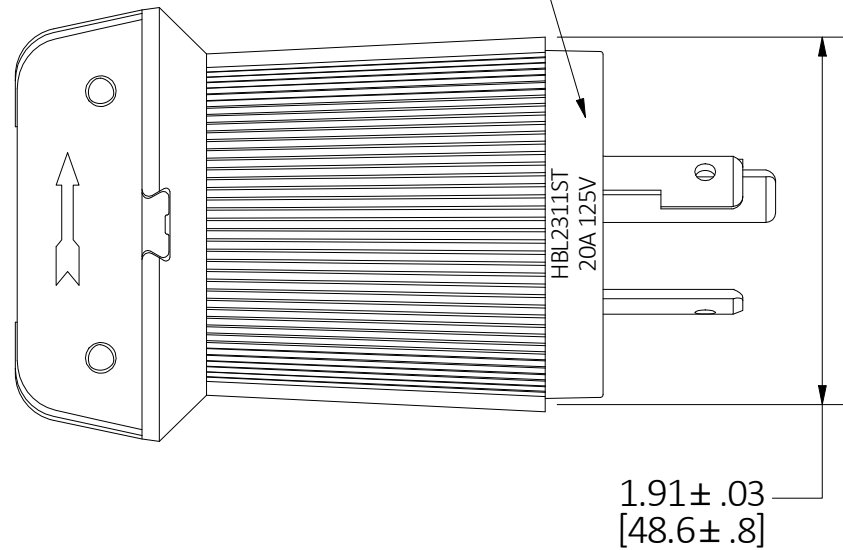


M-14324

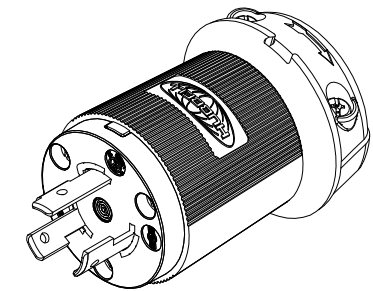
2

CAT. NO. & RATING PRINTED ON BLADE HOLDER, COLOR CODE BY VOLTAGE



CORD CLAMP RANGE:
CORD: 14/3 - 8/3 TYPE S
14/3 - 12/3 TYPE SJ

LIST OF PARTS		
DESCRIPTION	MATERIAL	FINISH
COVER	NYLON	BLACK
CORD CLAMP	NYLON	NATURAL, BLACK
BLADE HOLDER	NYLON	NATURAL, BLACK
RETAINER	NYLON	BLACK
BLADES	COPPER ALLOY	
SPRING	STAINLESS STEEL	
PLUNGER	NYLON	
ASSEMBLY FASTENERS	STEEL	ZINC PLATE
CORD CLAMP INSERTS	NYLON	BLACK
DUST SHIELD	TPE	BLACK



**CAT. NO. HBL2311ST
(NOT SHOWN TO SCALE)**

NEMA NO.	RATING	POLE/WIRE	CAT. NO.	BLADE CONFIGURATION	VOLTAGE COLOR CODE
L5-20P	125V	2P/3W GROUNDING	HBL2311ST HBL2311STBK		YELLOW
L6-20P	250V	2P/3W GROUNDING	HBL2321ST HBL2321STBK		BLUE
L7-20P	277VAC	2P/3W GROUNDING	HBL2331ST		GRAY
L8-20P	480VAC	2P/3W GROUNDING	HBL2341ST		RED

NOTES (UNLESS OTHERWISE SPECIFIED):

- DIMENSIONS ARE IN INCHES [mm].
- ALL DEVICES ARE cULus LISTED & FED SPEC.
- CORD TYPES: S & SJ
- CORD CLAMP RANGE: 0.35 [9 mm] - 0.93 [24 mm].
- WIRING TERMINAL ACCOMMODATION: 14 AWG - 8 AWG STRANDED COPPER WIRE ONLY.
- ASSEMBLY SCREWS ARE PHILLIPS/SLOTTED/ROBERTSON HEAD.
- CATALOG NUMBERS & RATING ARE PAD PRINTED ON THE SIDE OF THE DEVICE, COLOR CODED BY VOLTAGE.

2	ADDED CAT# HBL2311STBK & HBL2321STBK, REPLACED NATURAL WITH NATURAL, BLACK FOR CORD CLAMP & BLADE HOLDER PER DCN 221011024714 AM	MAM	12/09/22
REV	DESCRIPTION	APP	DATE

THE DESIGN AND DIMENSIONS OF THE PRODUCT SHOWN ON THIS DRAWING ARE SUBJECT TO CHANGE WITHOUT NOTICE. DIMENSIONS ARE IN INCHES [mm].

TITLE
20A 3-WIRE TWIST-LOCK® EDGE SCREWLESS TERMINATION PLUG



WIRING DEVICE-KELLEMS
HUBBELL INCORPORATED
SHELTON, CT

TOLERANCES UNLESS OTHERWISE SPECIFIED
.XX = ± .01
.XXX = ± .005
ANGLE TOL. ±2'

DR. BY	AM	SCALE	1 : 1
CHK. BY	MAM	DATE	05/31/21