

# Intermediate Spacers

## Features

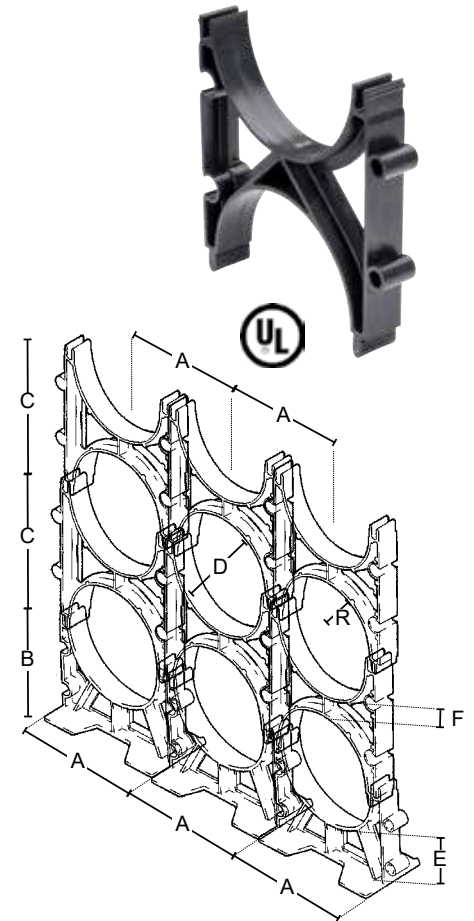
- Resistant to extreme temperature fluctuations
- Available in 16 sizes
- Snap lock design for fast field assembly
- Stays firmly in place during fill
- Heavy duty strut evenly distributes load

## Applications

- Support duct arrays within trenching before encasement
- For use with Topaz Base Spacer

## Standard Material

- High impact polymers



Catalog Number	UPC	Spacer Size	Ship Case	Weight/Case	A	B	C	D	E	F	R
1331	23326	4 x 1"	200	46	5.63	4.06	5.63	4.63	3	1	2.315
1332	23327	2 x 1-1/2"	500	50	3.975	4.25	3.985	2.5	3	1.5	1.25
1333	23328	3 x 1-1/2"	250	35	5.13	4.81	5.13	3.63	3	1.5	1.815
1334	23329	4 x 1-1/2"	180	49	6.13	5.315	6.13	4.63	1.75	1.5	2.315
1335	23330	5 x 1-1/2"	140	35	7.325	5.9	7.325	5.69	3	1.5	2.845
1336	23331	6 x 1-1/2"	100	28	8.23	6.375	8.25	6.75	3	1.5	3.375
1337	23332	2 x 2"	325	36	4.46	4.25	4.46	2.5	3	1.5	1.25
1338	23333	3 x 2"	225	35	5.63	4.81	5.63	3.63	3	2	1.815
1339	23334	4 x 2"	160	37	6.61	5.315	6.63	4.63	3	2	2.315
1340	23335	5 x 2"	100	36	7.833	5.9	7.83	5.69	3	2	2.845
1341	23336	6 x 2"	100	31	8.73	6.375	8.73	6.75	3	2	3.375
1342	23337	2 x 3"	275	39	5.465	4.255	5.46	2.5	3	3	1.25
1343	23338	3 x 3"	160	30	6.63	4.81	6.63	3.63	3	3	1.815
1344	23339	4 x 3"	125	33	7.61	5.315	7.625	4.63	3	3	2.315
1345	23340	5 x 3"	90	28	8.69	5.9	8.69	5.69	3	3	2.845
1346	23341	6 x 3"	75	26	9.79	6.375	9.75	6.75	3	3	3.375