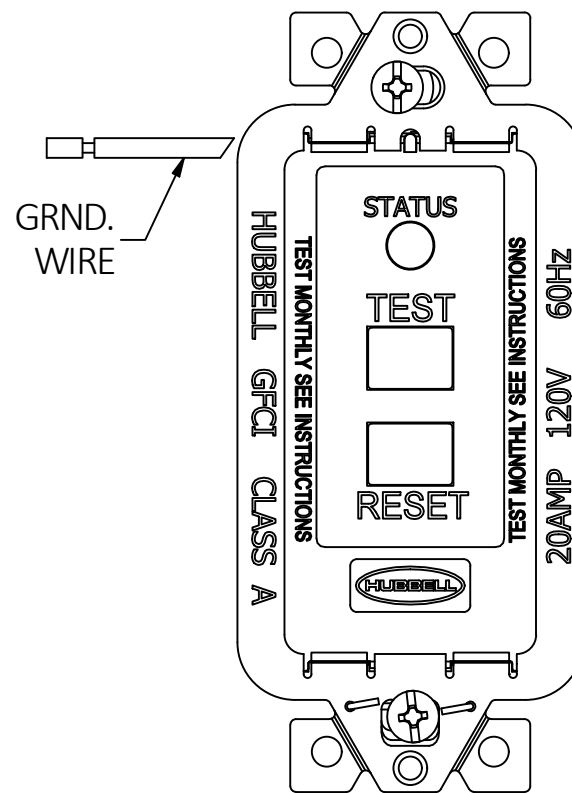
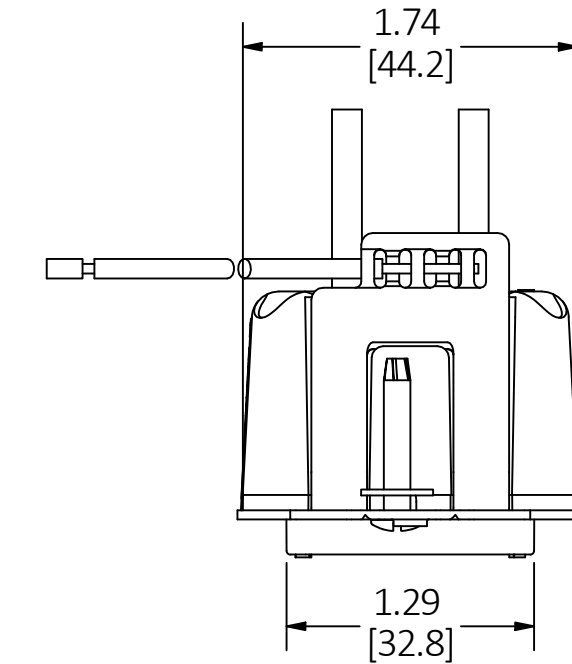
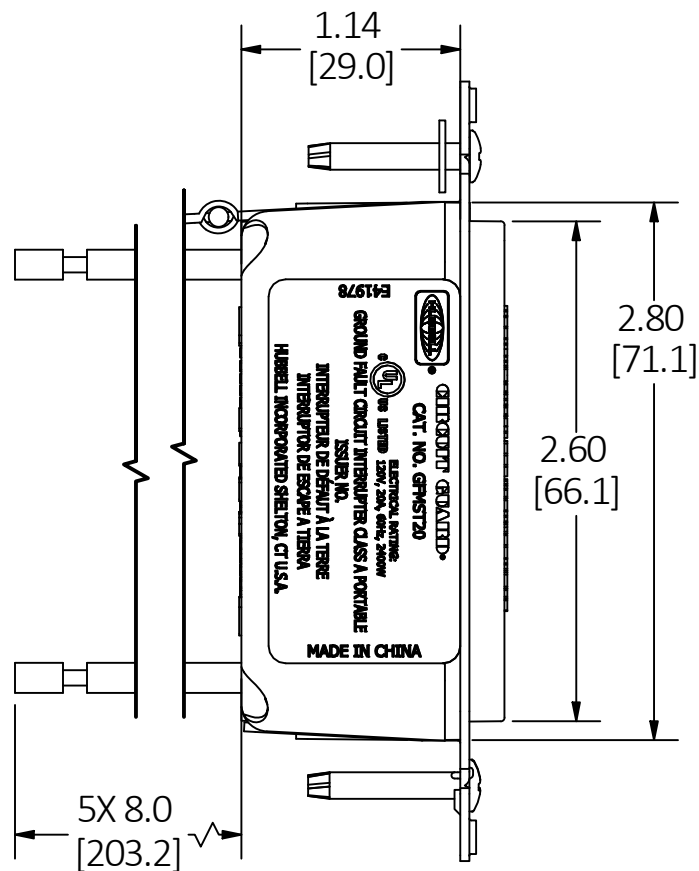
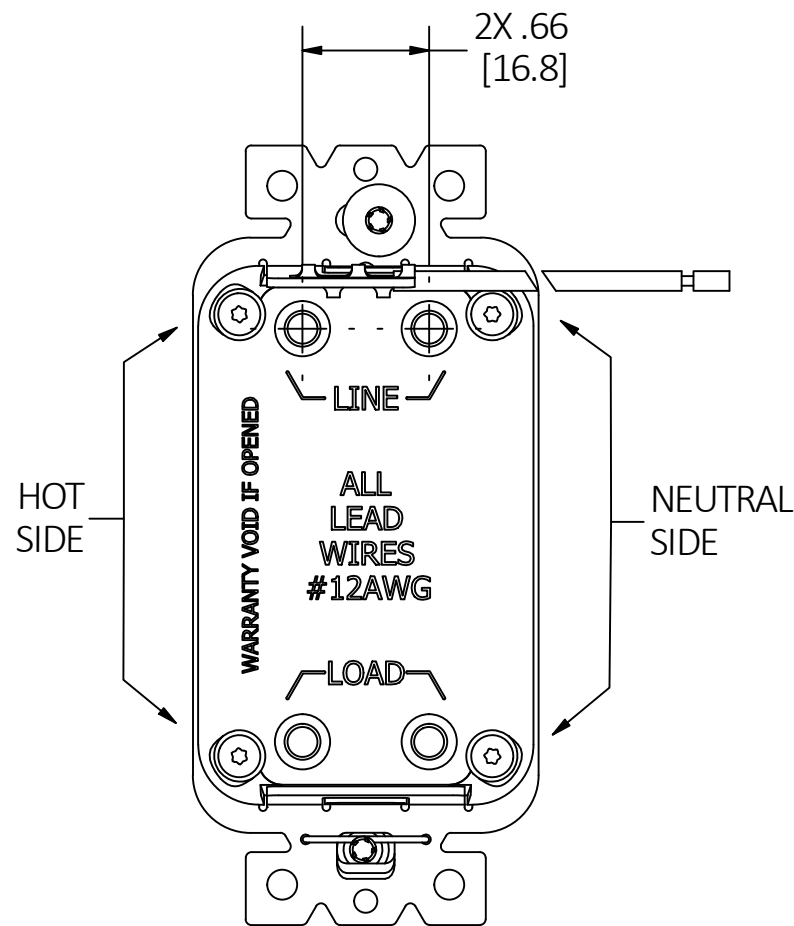


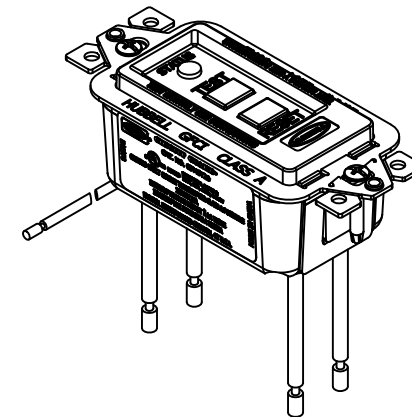
M-14176

2

AMPD MODULE			
CATALOG NO.	RATING	COLOR	RESET TYPE
GFMST20	20A/120VAC	YELLOW	MANUAL
GFMST20A	20A/120VAC	YELLOW	AUTOMATIC



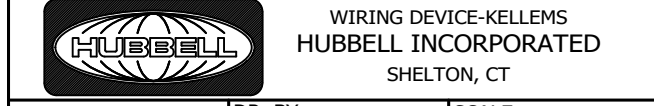
LIST OF PARTS		
DESCRIPTION	MATERIAL	FINISH
COVER	THERMOPLASTIC	-
BASE	THERMOPLASTIC	-
MOUNTING SCREW	STEEL	ZINC PLATED
STRAP	STEEL	ZINC PLATED



2	20A/120VAC WAS 20A/120V PER EC 210104003482 MV	KP	7/28/21
1	INITIAL RELEASE PER EC 210104003483 MJV	AD	3/3/21
REV	DESCRIPTION	APP	DATE

THE DESIGN AND DIMENSIONS OF THE PRODUCT SHOWN ON THIS DRAWING ARE SUBJECT TO CHANGE WITHOUT NOTICE. DIMENSIONS ARE IN INCHES [mm].

TITLE  
AM/PD MODULE



TOLERANCES UNLESS OTHERWISE SPECIFIED .XX = ± .01 .XXX = ± .005 ANGLE TOL. ±2°	DR. BY MV CHK. BY AD	SCALE 1:1 DATE 3/3/21
---	-------------------------	--------------------------

DIMENSION SHEET FOR CAT. NO.

B

M-14176

2